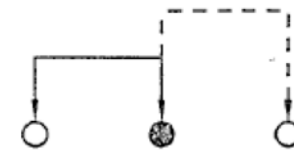
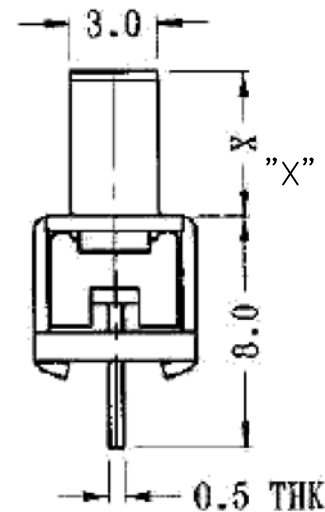
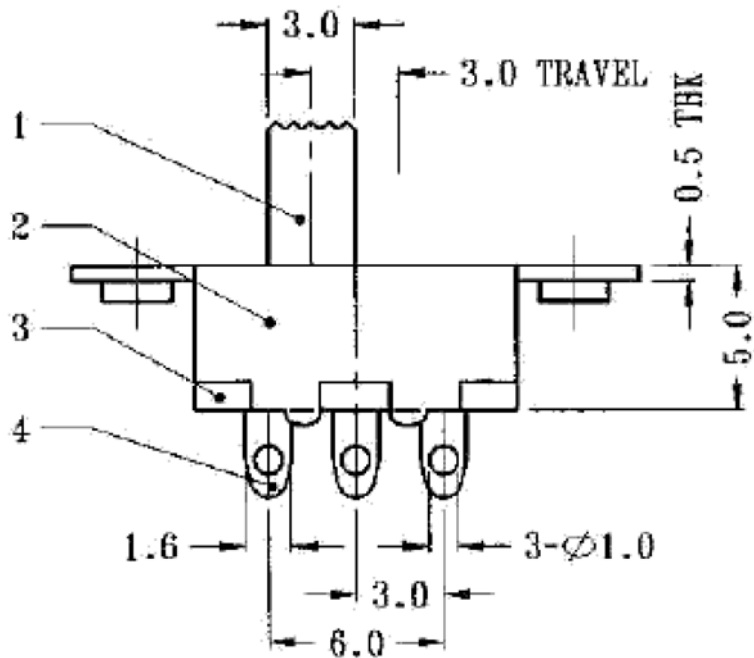


P.C.B. LAYOUT



SCHEMATIC (NON-SHORTING)



"X" = 5.0mm

SPECIFICATION

1. RATING: DC 50V 0.5A (1P2T)
2. CONTACT RESISTANCE: 30mΩ MAX.
3. INSULATION RESISTANCE: 100MΩ MIN.
4. WITHSTAND VOLTAGE: Apply AC 500V(50-60Hz) for 1 minute
5. LIFE TEST: 10,000 cycles without load.
6. OPERATING TEMPERATURE: -16°C~+60°C
7. OPERATING FORCE: 250gf±100gf

THESE DRAWINGS AND SPECIFICATIONS ARE THE PROPERTY OF TAIWAY ELECTRONICS COMPONENTS LTD. AND SHALL NOT BE REPRODUCED COPIED OR USED IN ANY MANNER WITHOUT THE PRIOR WRITTEN CONSENT OF TAIWAY ELECTRONICS COMPONENTS LTD.

UNLESS OTHERWISE SPECIFIED DIMENSIONS ARE IN MILLIMETERS ANGULAR TOLERANCE: ±1.0°

DIMENSIONS	TOLERANCE
0.00 TO 10.00mm	±0.20mm
10.01 TO 20.00mm	±0.25mm
20.01 TO 30.00mm	±0.30mm
30.01	±0.40mm

MATERIAL

泰瑋電子有限公司
TAIWAY ELECTRONICS COMPONENTS CO.,LTD.

USED 用途	APPD. 審核 Amy 2005/09/14
FINISH 處理	CHKD. 校對 Amy 2005/09/14
SCALE 比例	UNIT 單位 in(mm) DR. 製圖 Amy 2005/09/14

TITLE 名稱 HORIZONTAL SLIDE SWITCH		
DWG NO. 圖號 SS-12F16-G5-44		
FILE NAME 檔案名稱 SS-12F16.dwg	SHEET 張 1/1	REV. 更改 1