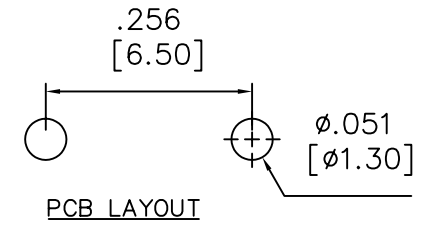
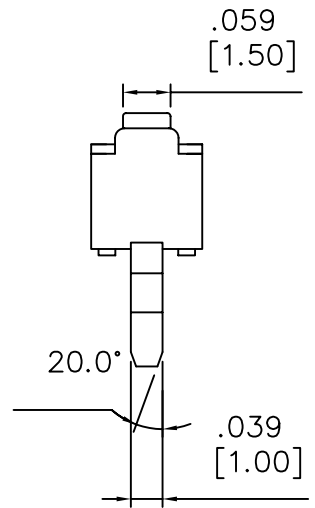
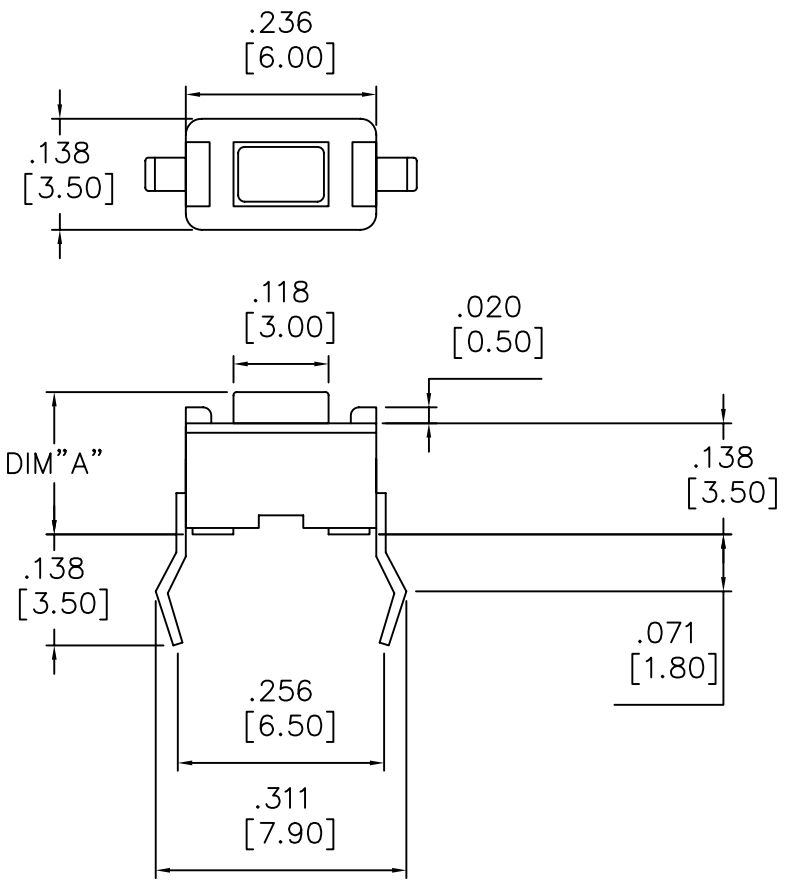


| | | | |
|------------|-------------------|-------------|---------------|
| REV. 更改 | DESCRIPTION 說明 | ENG. 修改人 | APPROVE 審核 |
| | | | |



| L | DIM. "A" |
|---|------------|
| 1 | 4.30(.169) |
| 2 | 5.00(.197) |

SPECIFICATIONS:
 1.RATING:12VDC 50mA
 2.CONTACT RESISTANCE:100m-ohms max.
 3.INSULATION RESISTANCE:100M-ohms min
 4.DIELECTRIC STRENGTH:250VAC for 1 minute
 5.OPERATING FORCE:160±50gf standard
 6.SOLDERING TEMPERATURE:260°C for 5-10 seconds
 7.LEAD-FREE SOLDER:M705E JIS Z 3282 Class A
 (tin 96.5% silver 3% Copper 0.5%)
 7.OPERATING TEMPERATURE:-25°C to +70°C
 8.OPERATING LIFE:50,000 cycles
 9.DRAWING TOLERANCE:±0.50mm

| | |
|----------------|---------------|
| ITEM NO. 料號 | KRS-0312-2V03 |
|----------------|---------------|

| THESE DRAWINGS AND SPECIFICATIONS ARE THE PROPERTY OF TAIWAY ELECTRONICS COMPONENTS LTD. AND SHALL NOT BE REPRODUCED COPIED OR USED IN ANY MANNER WITHOUT THE PRIOR WRITTEN CONSENT OF TAIWAY ELECTRONICS COMPONENTS LTD. | |
|---|-----------|
| UNLESS OTHERWISE SPECIFIED DIMENSIONS ARE IN MILLIMETERS ANGULAR TOLERANCE: ±1.0° | |
| DIMENSIONS | TOLERANCE |
| 0.00 TO 10.00mm | ±0.20mm |
| 10.01 TO 20.00mm | ±0.25mm |
| 20.01 TO 30.00mm | ±0.30mm |
| 30.01 | ±0.40mm |

| | | | |
|--|----------------|-------------|----------------|
| 泰瑋電子有限公司 TAIWAY ELECTRONICS COMPONENTS CO.,LTD. | | | |
| USED 用途 | KRS | APPD. 審核 | Amy 2005/05/20 |
| FINISH 處理 | | CHKD. 校對 | Amy 2005/05/20 |
| SCALE 比例 | 4 / 1 | UNIT 單位 | mm |
| | | DR. 製圖 | Amy 2005/05/20 |
| TITLE 名稱 | TACT SWITCH | | |
| DWG NO. 圖號 | KRS-0312-2V03 | | SIZE 圖紙 |
| FILE NAME 檔案名稱 | krs0312-03.DWG | SHEET 張 | 1 / 1 |
| | | REV. 更改 | 1 |