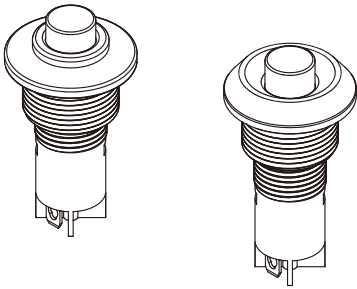


NEW !



SPECIFICATIONS:

CONTACT RATING: 10A 125VAC, 5A 250VAC.
 ELECTRICAL LIFE: 30,000 make and break cycles at full load.
 CONTACT RESISTANCE: 10m-ohms max. initial @2-4VDC.
 INSULATION RESISTANCE: 1,000M-ohms min. @ 500VDC.
 DIELECTRIC STRENGTH: 1,500V RMS @ sea level.
 OPERATION TEMPERATURE: -30°C to +85°C.

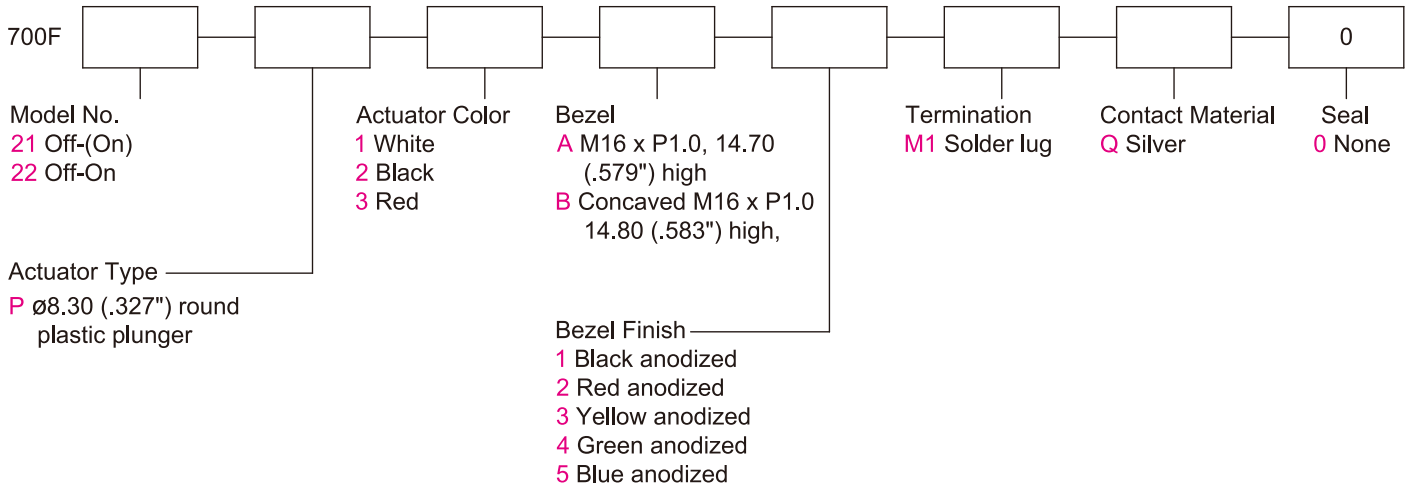
MATERIALS:

CASE: Nylon 66 (UL 94-HB).
 BASE: FR52 flame retardant (UL 94V-0).
 BEZEL: Anodized aluminum alloy.
 PLUNGER: POM (UL 94-HB).
 CONTACT: Silver alloy.
 TERMINALS: Copper, silver plated.
 SPRING: Piano wire.
 CAP: ABS.

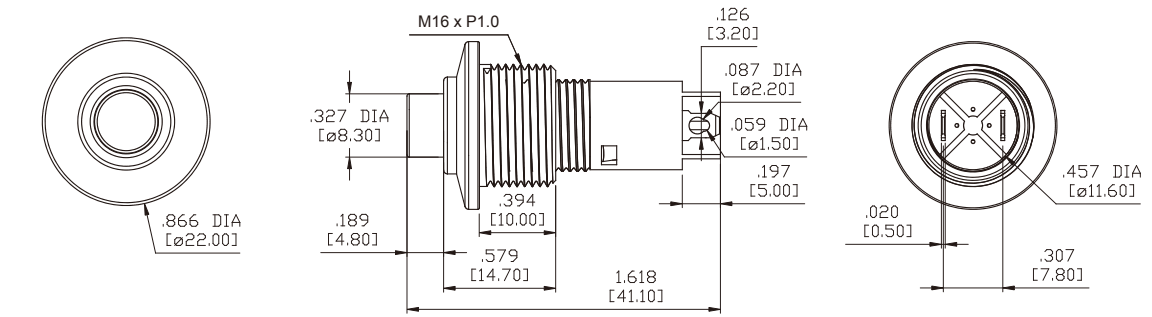
Specifications and Dimensions subject to change

If your preferred product configuration is not shown, please contact our sales representative for custom design.

HOW TO ORDER SYSTEM



SPST

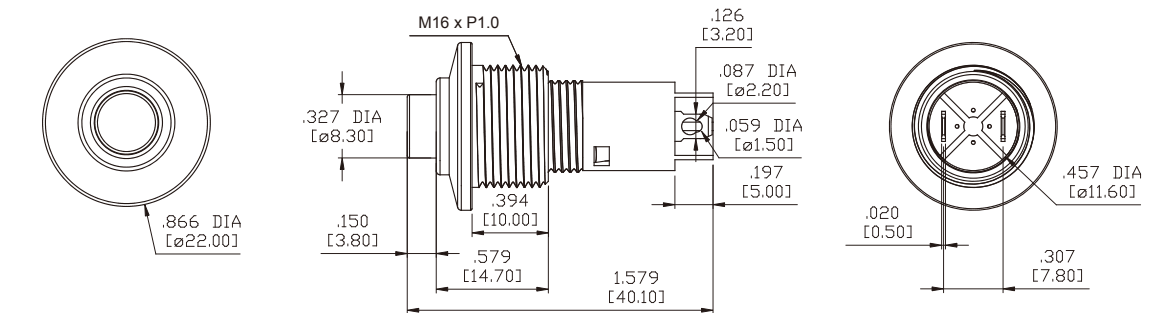


Model No.	Type	
21	OFF	(ON)
Term. Comm.	OPEN	1-2

Schematic



SPST



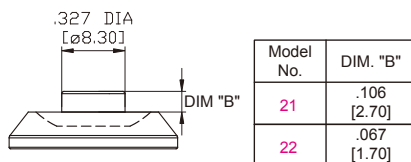
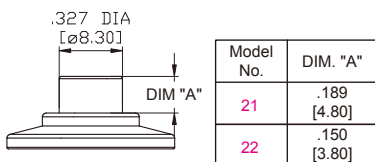
Model No.	Type	
22	OFF	ON
Term. Comm.	OPEN	1-2

Schematic



ACTUATOR OPTIONS

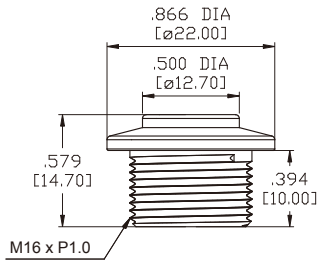
P



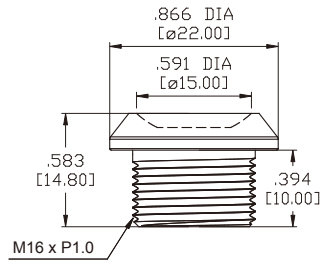
ACTUATOR COLORS			
1	White		
2	Black(Std.)		
3	Red		

BEZEL OPTIONS

A



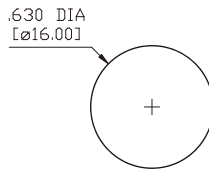
B



BEZEL FINISH	
1	Black(Std.)
2	Red
3	Yellow
4	Green
5	Blue

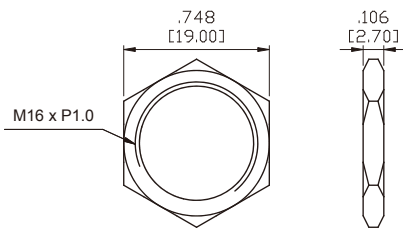
PANEL MOUNTING

M16 x 1.0 THD. BUSHING



HARDWARE

NUT



WASHER

