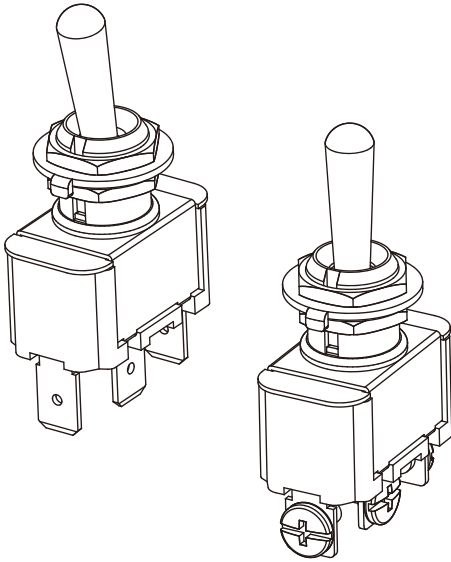


NEW !



SPECIFICATIONS:

CONTACT RATING: 12A 250VAC, 20A 125VAC, 1HP 125/250VAC.
 ELECTRICAL LIFE: 30,000 make-and-break cycles at full load.
 CONTACT RESISTANCE: 20m-ohms max. initial @2-4VDC
 INSULATION RESISTANCE: 500VDC 100M-ohms min.
 DIELECTRIC STRENGTH: 1,500VAC for 1 minute.
 SOLDERING TEMPERATURE: Hand soldering 350°C for max. 3sec.
 OPERATING TEMPERATURE: -30°C to +85°C

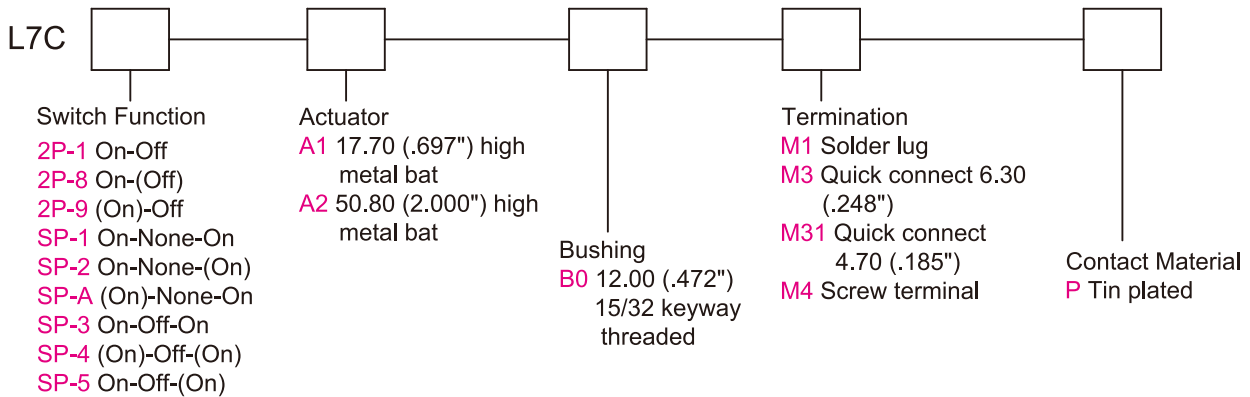
MATERIALS:

CASE: Phenolic molding compound (UL94V-1).
 ACTUATOR: Brass, nickel plated with internal oring sealed.
 BUSHING: Brass, nickel plated
 HOUSING: Stainless steel.
 PIVOT PIN: PA66 (UL94V-0).
 SPRING: Piano wire.
 CONTACT: Silver rivet.
 TERMINAL: Brass, tin plated.
 NUT: Brass, nickel plated.
 WASHER & LOCKING RING: Steel, nickel plated.

Specifications and Dimensions subject to change

If your preferred product configuration is not shown, please contact our sales representative for custom design.

HOW TO ORDER SYSTEM

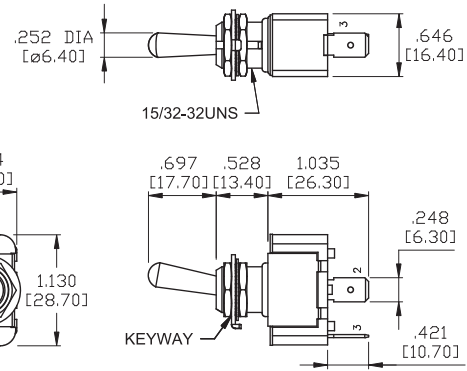


SPST



Model No.	Switching Position		
2P-1	ON	NONE	OFF
2P-8	ON	NONE	(OFF)
2P-9	(ON)	NONE	OFF
Term. Comm.	2-3	N/A	OPEN

Schematic

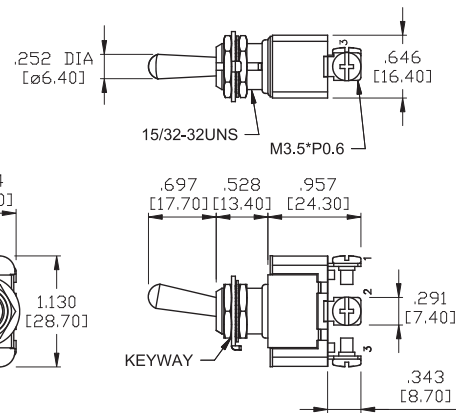


SPDT



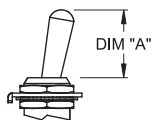
Model No.	Switching Position		
SP-1	ON	NONE	ON
SP-2	ON	NONE	(ON)
SP-A	(ON)	NONE	ON
SP-3	ON	OFF	ON
SP-4	(ON)	OFF	(ON)
SP-5	ON	OFF	(ON)
Term. Comm.	2-3	OPEN	2-1

Schematic



ACTUATOR OPTIONS

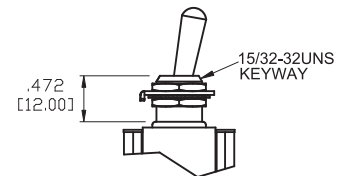
A1



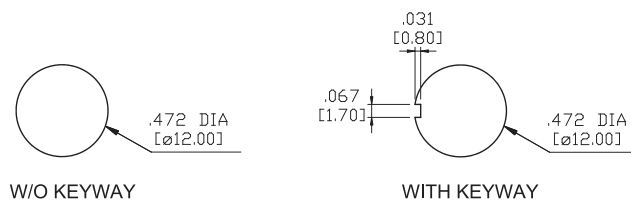
OPTION CODE	DIM "A"
1	.697 [17.70]
2	2.000 [50.80]

BUSHING OPTIONS

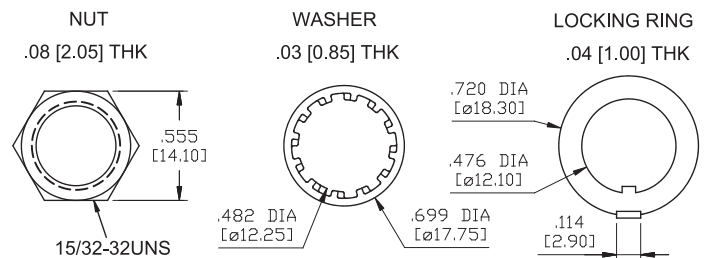
B0



PANEL MOUNTING

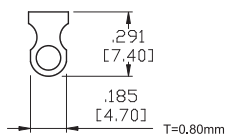


HARDWARE

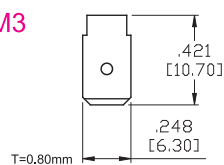


TERMINATION OPTIONS

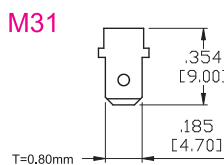
M1



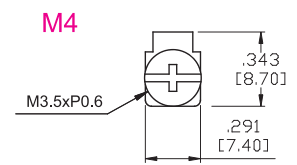
M3



M31



M4



()=MOMENTARY