

NEW !
IP 67 Protection

SPECIFICATIONS:

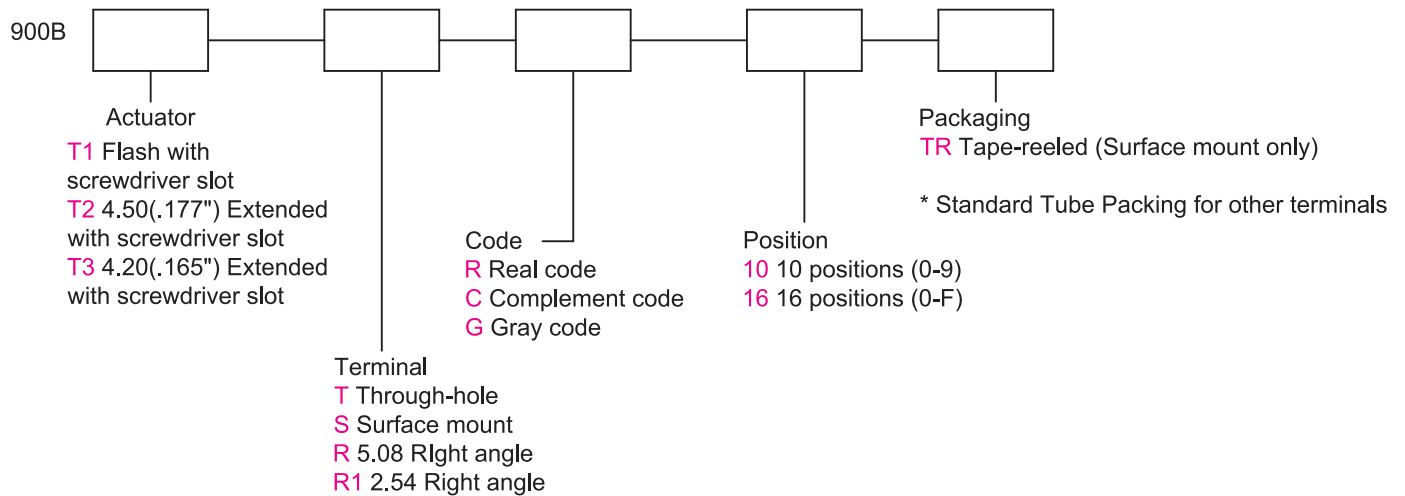
CONTACT RATING: (Non-switching)400mA 42V,
(Switching)100mA 42V.
ELECTRICAL LIFE: 25,000 make-and-break cycles at full load.
CONTACT RESISTANCE: 80m-ohms max. initial @2-4VDC
INSULATION RESISTANCE: 250VDC, 1,000M-ohms min.
DIELECTRIC STRENGTH: 250VAC for 1 minute.
OPERATING FORCE: 120±30gf.
OPERATING TEMPERATURE: -60°C to +125°C.

MATERIALS:

COVER: Stainless Steel.
ACTUATOR: LCP.
BASE: LCP.
O-RING: Silicone.
CONTACT & TERMINAL: Phosphor bronze, gold over nickel plated.

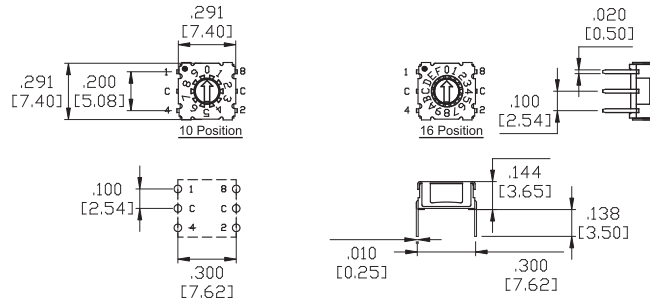
If your preferred product configuration is not shown, please contact our sales representative for custom design.

HOW TO ORDER SYSTEM

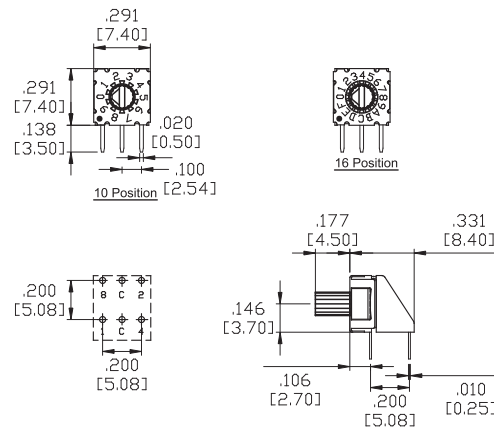


Toggle
Rocker
Slide
Pushbutton
AV
Rotary
Tact
Touch Key
Miscellaneous

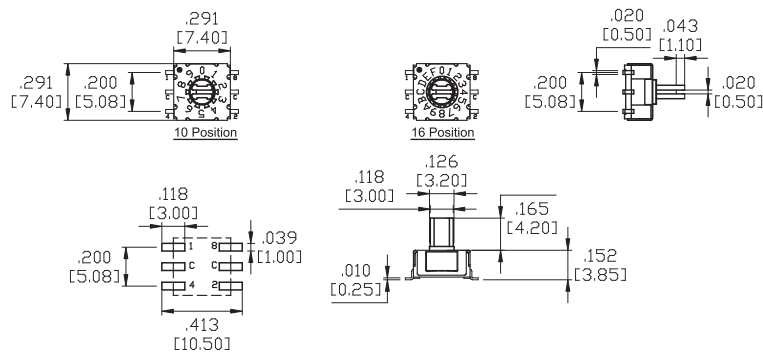
THROUGH HOLE



RIGHT ANGLE

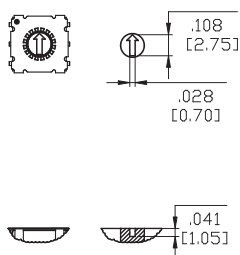


SURFACE MOUNT

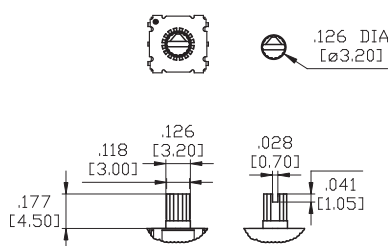


ACTUATOR OPTIONS

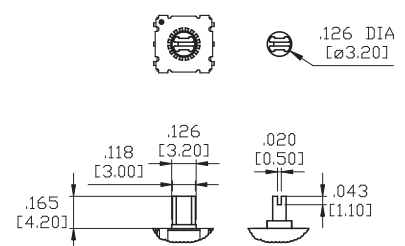
T1 FLUSH



T2 SCREWDRIVER SLOT



T3 SCREWDRIVER SLOT



TERMINATION OPTIONS

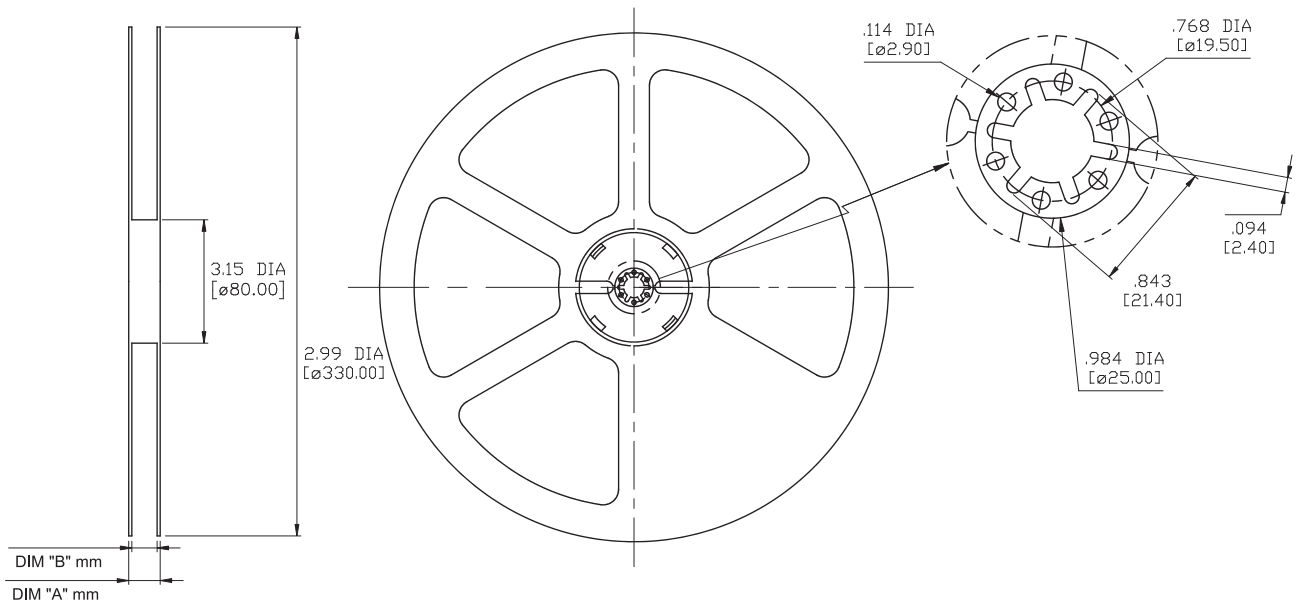
<p>T THROUGH HOLE</p>	<p>S SURFACE MOUNT</p>	<p>R 5.08 RIGHT ANGLE</p>	<p>R1 2.54 RIGHT ANGLE</p>
------------------------------	-------------------------------	----------------------------------	-----------------------------------

CODE & POSITION OPTIONS

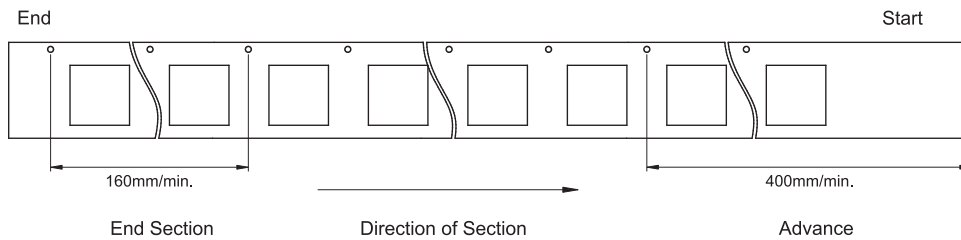
<p>R REAL CODE</p> <p>Actuator Color: Ivory</p>	<p>C COMPLEMENT CODE</p> <p>Actuator Color: Red</p>	
<p>G Gray Code</p> <p>Actuator Color: Brown</p>	<p>10 10-POSITION</p>	<p>16 16-POSITION</p>

TAPE & REEL PACKING

TAPE & REEL PACKING



MODEL	Units(pcs)	A	B
W/O ACTUATOR	1300	22.40	16.40
WITH ACTUATOR	600	30.40	24.40



Toggle
Rocker
Slide
Pushbutton
AV
Rotary
Tact
Touch Key
Miscellaneous