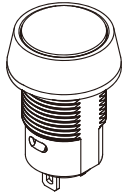


NEW !
IP67 Front Panel
Protection



SPECIFICATIONS:

CONTACT RATING: Refer to "Contact Material Options" for more info.
 ELECTRICAL LIFE: 200,000 cycles @ 100mA 24VDC.
 CONTACT RESISTANCE: 50m-ohms max. initial @2-4VDC
 100mA for gold over silver plated contacts.
 INSULATION RESISTANCE: 1G-ohms min.
 DIELECTRIC STRENGTH: 1,000VAC for 1 minute.
 OPERATING TEMPERATURE: -30°C to +85°C.

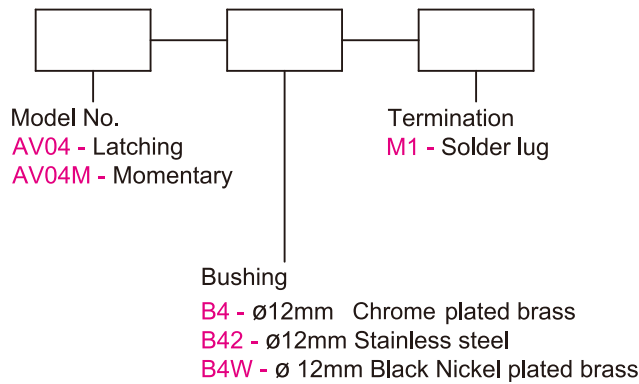
MATERIALS:

BUTTON: Stainless steel or brass.
 BODY: Stainless steel or brass with threaded bushing.
 BASE: NYLON 6/6 (UL 94V-0).
 TERMINAL & CONTACT: Gold over silver plated.
 TERMINAL SEAL: Epoxy.

Specifications and Dimensions subject to change

If your preferred product configuration is not shown, please contact our sales representative for custom design.

HOW TO ORDER SYSTEM

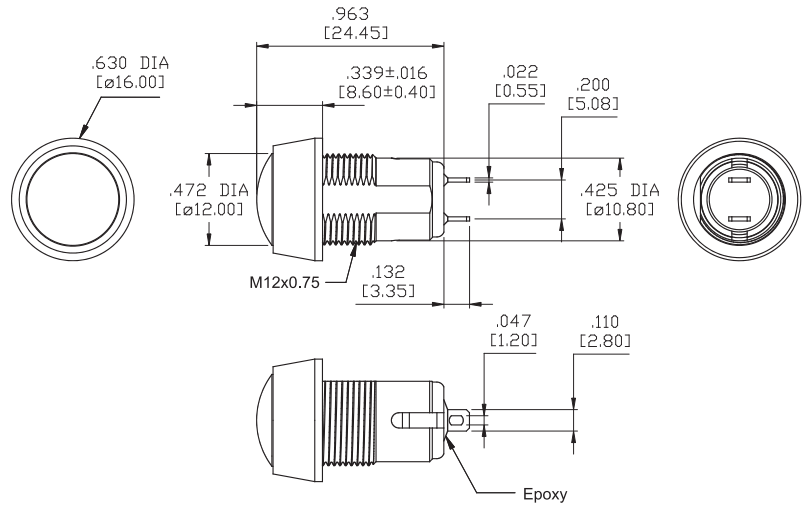


SPST



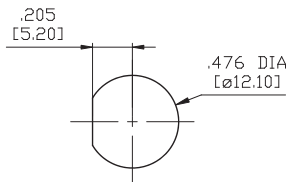
Model No.	Switching Position	
AV04	OFF	ON
AV04M	OFF	MOM
Term. Comm.	OPEN	1-3

Schematic



PANEL MOUNTING

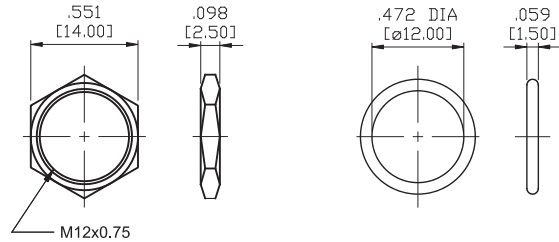
M12 x 0.75 FLAT-CUT THD. BUSHING



HARDWARE

NUT

O-RING



CONTACT MATERIAL OPTIONS

Coding	Contact Material	Terminal Plating	Rating	Agency Approvals
G	Gold over silver ¹	Gold over silver ¹	100mA 24VDC 2A 125VAC	

1. Movable Contact / Terminals: Copper alloy, silver plated with outer layer in gold plating

Toggle

Rocker

Slide

Pushbutton

AV

Rotary

Tact

Touch Key

Miscellaneous