

DESCRIPTIONS:

Zinc alloy die cast housing and cylinder, chrome plated.  
 Zinc alloy keys, chrome plated.  
 Silver plated contacts and terminals.  
 S102 2 Positions(off-on)2 Terminals.  
 S103 2 Positions(on-on)4 Terminals.  
 S104 3 Positions(off-on-on)4 Terminals.  
 1 Combination available.



SPECIFICATIONS:

CONTACT RATING: 1A 125VAC, 0.5A 250VAC.  
 CONTACT RESISTANCE: 10m-ohms max.  
 INSULATION RESISTANCE: 200M-ohms min.  
 DIELECTRIC STRENGTH: 1,000VAC 1 min.

KEY-PULL FIGURES:

- -Off Position.
- | -Indicates key-pull.
- -Indicates No key-pull.

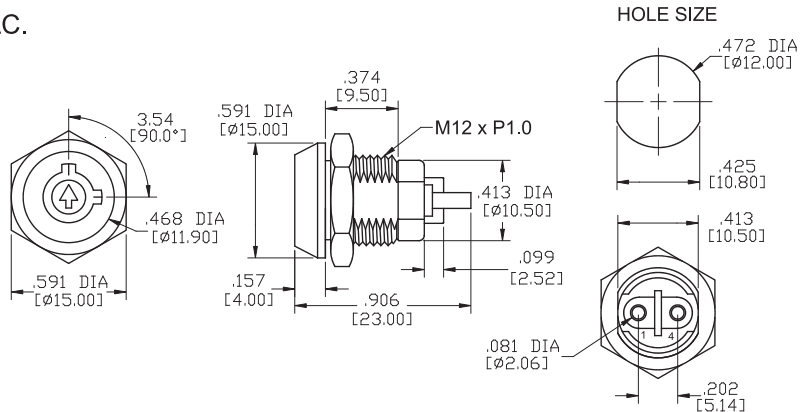


Fig. 1 Fig. 2 Fig. 3

Fig. No.	Lock Number	Pole	Positions	Terminals	Key Pulls	Turn	⊖ ⊕ ⊖	Type
1	S102-2	1	2	2	2	90°	Off On	SPST
2	S103	1	2	4	2	90°	On On	SPDT
3	S104	1	3	4	3	45°-0°-90°	Off On On	SPDT

DESCRIPTIONS:

Zinc alloy die cast housing and cylinder, chrome plated.  
 Zinc alloy keys, chrome plated.  
 Silver plated contacts and terminals.  
 S106 2 Positions(off-on)2 Terminals.  
 S116 2 Positions(on-on)4 Terminals.  
 200 Combinations available.



SPECIFICATIONS:

CONTACT RATING: 1A 125VAC, 0.5A 250VAC.  
 CONTACT RESISTANCE: 10m-ohms max.  
 INSULATION RESISTANCE: 200M-ohms min.  
 DIELECTRIC STRENGTH: 1,000VAC 1min.

KEY-PULL FIGURES:

- -Off Position.
- | -Indicates key-pull.
- -Indicates No key-pull.

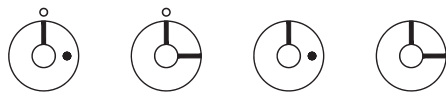
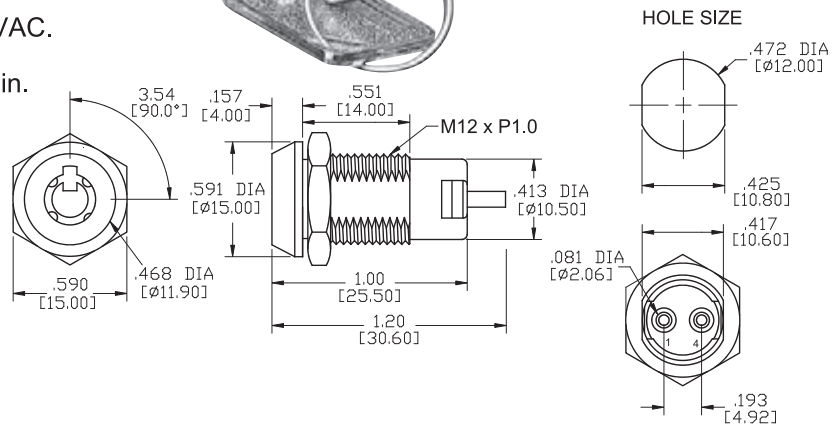


Fig. 1 Fig. 2 Fig. 3 Fig. 4

Fig. No.	Lock Number	Pole	Positions	Terminals	Key Pulls	Turn	⊖ ⊕	Type
1	S106-1	1	2	2	1	90°	Off On	SPST
2	S106-2	1	2	2	2	90°	Off On	SPST
3	S116-1	1	2	4	1	90°	On On	SPDT
4	S116-2	1	2	4	2	90°	On On	SPDT

## DESCRIPTIONS:

Zinc alloy die cast housing and cylinder, chrome plated.  
 Brass keys, nickel plated.  
 Silver plated contacts and terminals.  
 2 positions (off-on).  
 S109B key may be withdrawn in one or both positions.  
 20 Combinations available.

## SPECIFICATIONS:

CONTACT RATING: 1A 125VAC, 0.5A 250VAC.  
 CONTACT RESISTANCE: 10m-ohms max.  
 INSULATION RESISTANCE: 200M-ohms min.  
 DIELECTRIC STRENGTH: 1,000VAC 1 min.

## KEY-PULL FIGURES:

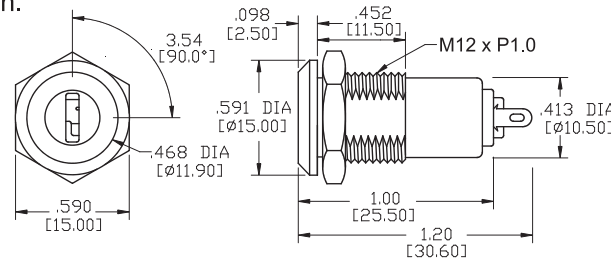
- -Off Position
- ⊏ -Indicates key-pull
- -Indicates No key-pull



Fig. 1



Fig. 2



### HOLE SIZE

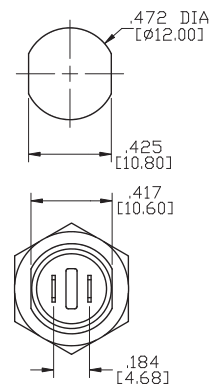


Fig. No.	Lock Number	Pole	Positions	Terminals	Key Pulls	Turn	⊏ ⊕ ⊖	Type
1	S1091B-1	1	2	2	1	90°	⊏ ⊕	SPST
2	S1091B-2	1	2	2	2	90°	⊏ ⊕	SPST

## DESCRIPTIONS:

Zinc alloy die cast housing, chrome plated.  
 Brass key nickel plated, with plastic cap.  
 Silver plated contacts and terminals.  
 S331 2 Positions(on-on)60° index 3 Terminals.  
 S332 2 Positions(off-on)60° index 2 Terminals.  
 S333 3 Positions(off-on-on)60° index 3 Terminals.  
 10 Combinations available.

## SPECIFICATIONS:

CONTACT RATING: 1A 125VAC, 0.5A 250VAC.  
 CONTACT RESISTANCE: 10m-ohms max.  
 INSULATION RESISTANCE: 200M-ohms min.  
 DIELECTRIC STRENGTH: 1,000VAC 1 min.

## KEY-PULL FIGURES:

- -Off Position
- ⊏ -Indicates key-pull
- -Indicates No key-pull



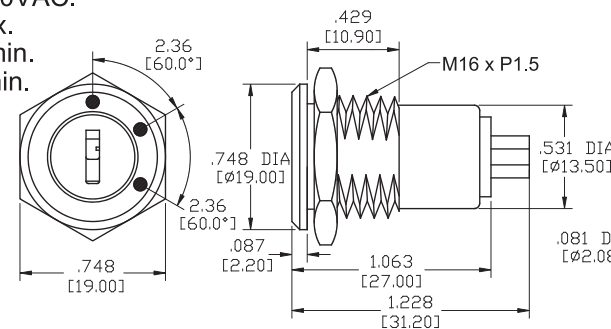
Fig. 1



Fig. 2



Fig. 3



### HOLE SIZE

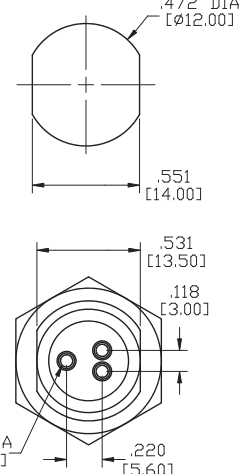
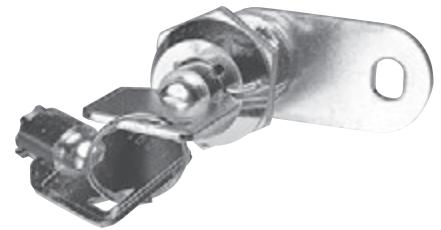


Fig. No.	Lock Number	Pole	Positions	Terminals	Key Pulls	Turn	⊏ ⊕ ⊖	Type
1	S331	1	2	3	2	60°	⊏ ⊕ ⊖	SPDT
2	S332	1	2	2	2	60°	⊏ ⊕	SPST
3	S333	1	3	3	3	120°	⊏ ⊕ ⊖	SPDT

DESCRIPTIONS:

C510 Brass housing and cylinder chrome plated.  
 C510Z Zinc alloy die cast housing and cylinder chrome plated.  
 Steel made tubular keys, nickel plated.  
 Four sizes available.  
 Used for: Cabinets, vending machines, cash boxes, mail boxes,  
 computer, phone exchanger door, etc.  
 50,000 Combinations available.



KEY-PULL FIGURES:

- -Off Position
- | -Indicates key-pull
- -Indicates No key-pull

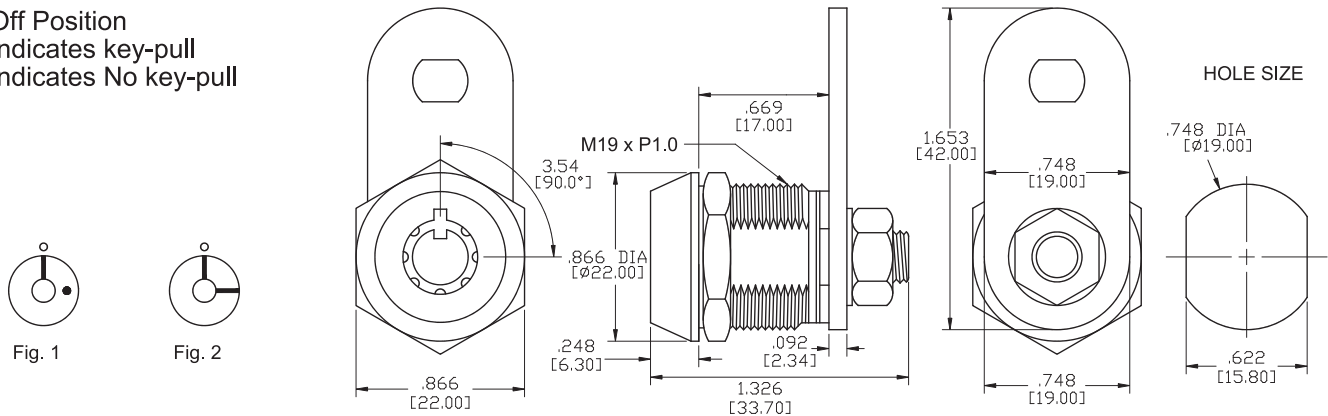


Fig. No.	Lock Number	Positions	Key Pulls	Turn
1	C510-1	2	1	90°
2	C510-2	2	2	90°

DESCRIPTIONS:

Zinc alloy die cast housing and cylinder, chrome plated.  
 Brass key, nickel plated.  
 Various cam configurations available.  
 20 Combinations available.



KEY-PULL FIGURES:

- -Off Position
- | -Indicates key-pull
- -Indicates No key-pull

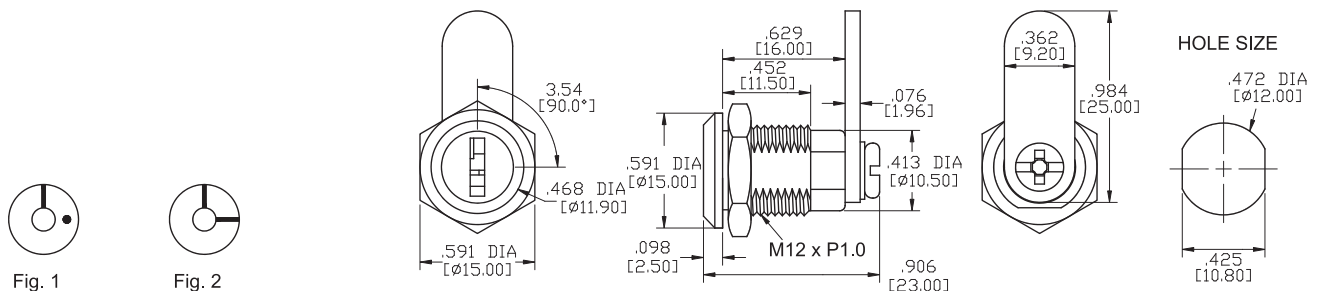


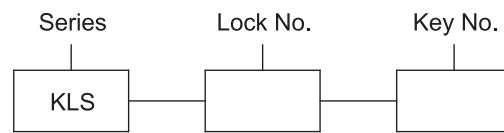
Fig. No.	Lock Number	Positions	Key Pulls	Turn
1	C1091-1	2	1	90°
2	C1091-2	2	2	90°

Toggle  
Rocker  
Slide  
Pushbutton  
AV  
Rotary  
Tact  
Touch Key  
Miscellaneous

---

HOW TO ORDER

---



\* Key number must be specified when ordering, otherwise random number will be supplied.

Specifications and Dimensions subject to change