

SPECIFICATIONS:

BUSHING: Ø22mm.
 CONTACT RATING: 2A @ 48VDC or 125VAC.
 ELECTRICAL LIFE: 10,000cycles at full load.
 CONTACT RESISTANCE: 10m-ohms max. initial @2-4VDC.
 INSULATION RESISTANCE: 1,000M-ohms min. @ 500VDC.
 DIELECTRIC STRENGTH: 3,000VAC for 1 minute.
 OPERATING TEMPERATURE: -20°C ~ +55°C.

MATERIALS:

BUSHING & BUTTON: See Bushing & Button Option.
 CONTACT: Silver alloy.
 BODY & BASE: Glass filled nylon 6/6 (UL 94V-0)
 TERMINAL: Nickel plated brass.
 NUT: Nickel plated brass.

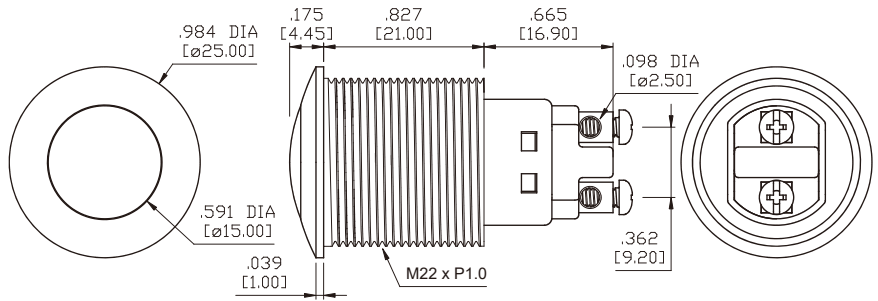
Specifications and Dimensions subject to change

SPST



Model No.	Type	
01	OFF	MOM

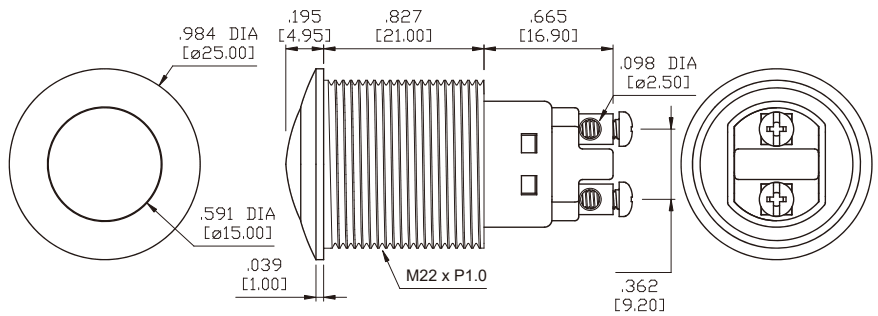
Schematic



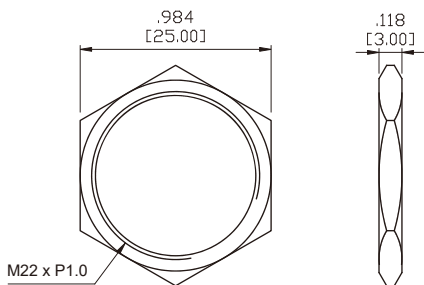
SPST IP65 Front panel protection

Model No.	Type	
01	OFF	MOM

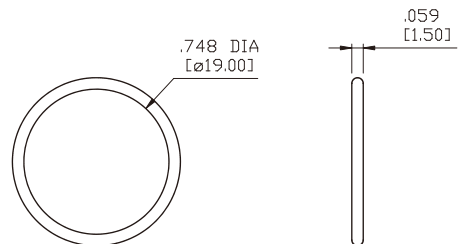
Schematic



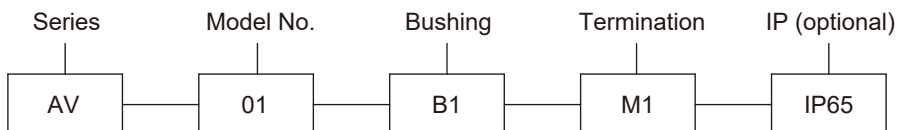
NUT



O-RING



HOW TO ORDER



SPECIFICATIONS:

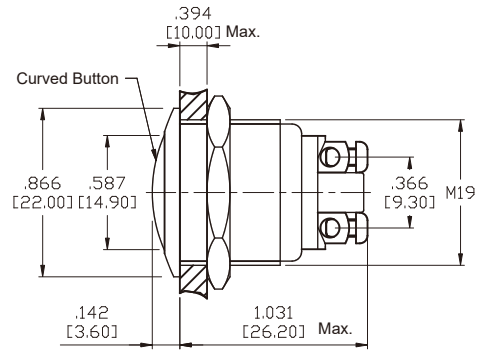
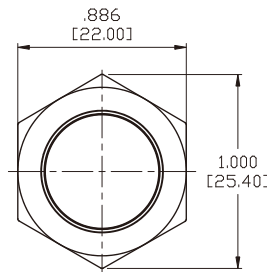
BUSHING: ϕ 19mm, ϕ 16mm, ϕ 12mm
 CONTACT RATING: 2A @ 36VDC.
 ELECTRICAL LIFE: 200,000cycles at full load.
 CONTACT RESISTANCE: 50m-ohms max. initial @2-4VDC.
 INSULATION RESISTANCE: 1,000M-ohms min. @ 500VDC.
 DIELECTRIC STRENGTH: 2,000V RMS 50~60Hz.
 IP CLASS: IP65 protection.
 TORQUE: 5~14Nm max. applied to nut.
 OPERATING FORCE: 5.5N max.
 OPERATING TEMPERATURE: -25°C~+55°C.

MATERIALS:

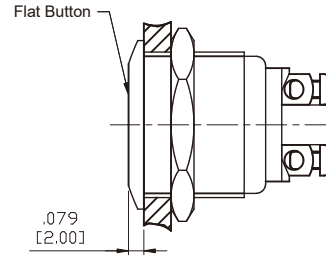
BUSHING: See Bushing Option.
 CONTACT: Silver alloy.
 BASE: PBT.
 NUT: Nickel plated brass.

Specifications and Dimensions subject to change

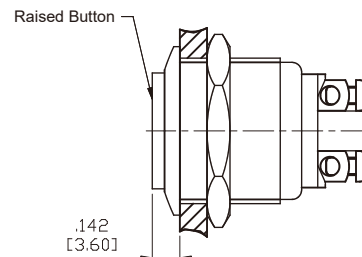
SPST ϕ 19mm, Solder Lug



Ex. P/N: AV01-B2-M1



Ex. P/N: AV01-B2-M1-F



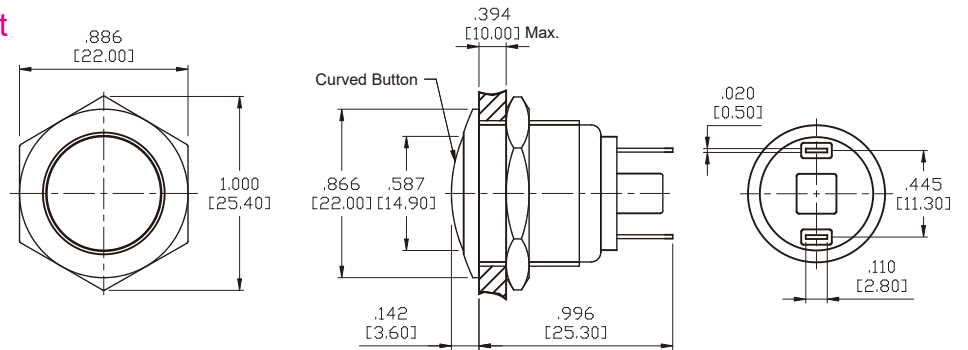
Ex. P/N: AV01-B2-M1-R

Model No.	SPST Type	
01	OFF	MOM

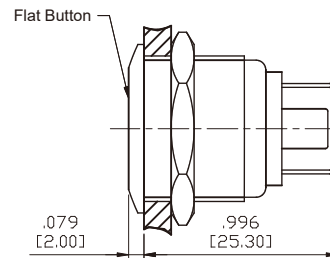
Schematic



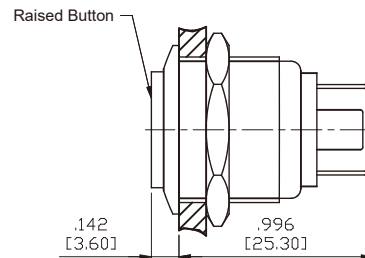
SPST ϕ 19mm, Quick Connect



Ex. P/N: AV01-B2-M3



Ex. P/N: AV01-B2-M3-F



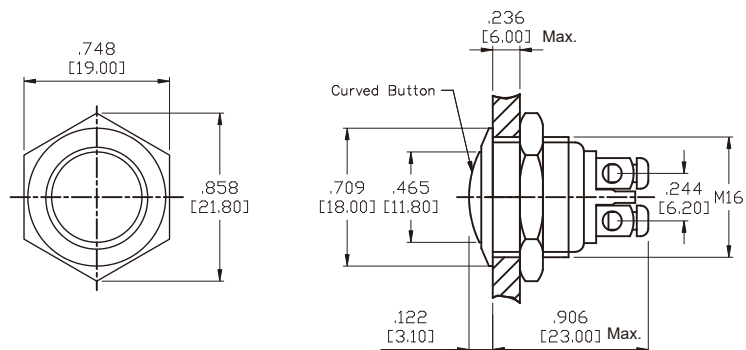
Ex. P/N: AV01-B2-M3-R

Model No.	SPST Type	
01	OFF	MOM

Schematic



SPST ϕ 16mm, Solder Lug

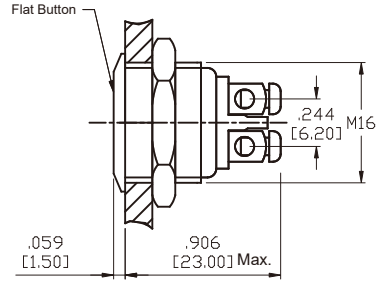
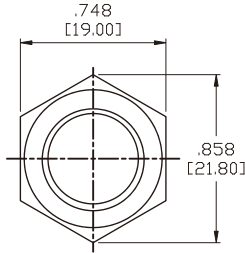


Ex. P/N: AV01-B3-M1

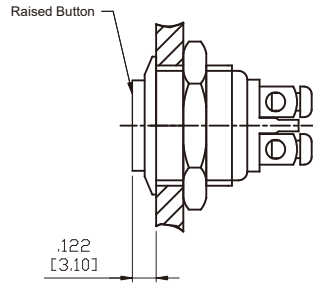
Series AV01

Anti-Vandal Pushbutton Switches

SPST ϕ 16mm, Solder Lug



Ex. P/N: AV01-B3-M1-F



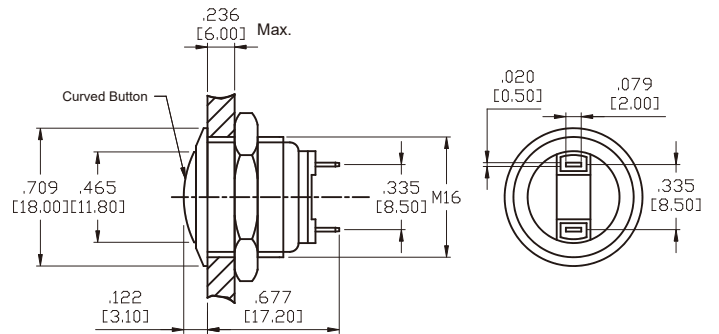
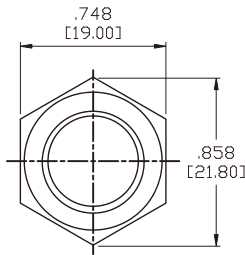
Ex. P/N: AV01-B3-M1-R

Model No.	SPST Type	
01	OFF	MOM

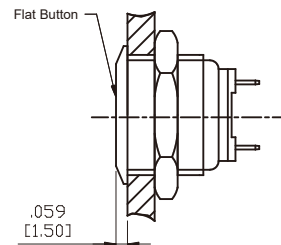
Schematic



SPST ϕ 16mm, Quick Connect



Ex. P/N: AV01-B3-M3



Ex. P/N: AV01-B3-M3-F

Model No.	SPST Type	
01	OFF	MOM

Schematic



Toggle

Rocker

Slide

Pushbutton

AV

Rotary

Tact

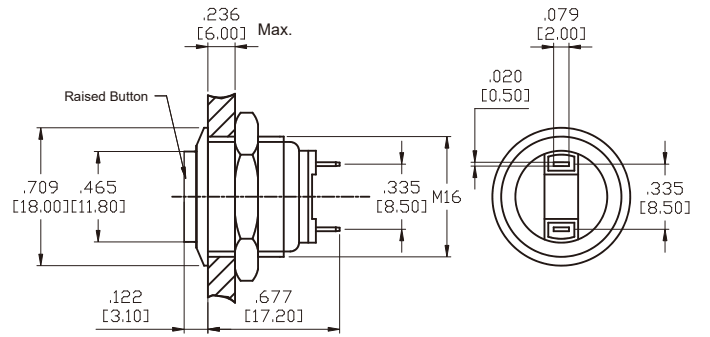
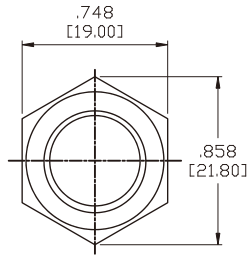
Touch Key

Miscellaneous

Series AV01

Anti-Vandal Pushbutton Switches

SPST \varnothing 16mm, Quick Connect



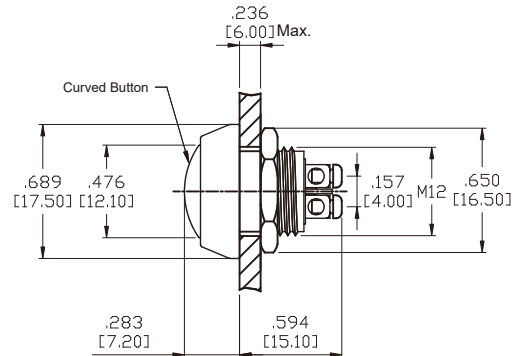
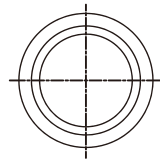
Ex. P/N: AV01-B3-M3-R

Model No.	SPST Type	
01	OFF	MOM

Schematic



SPST \varnothing 12mm, Solder Lug



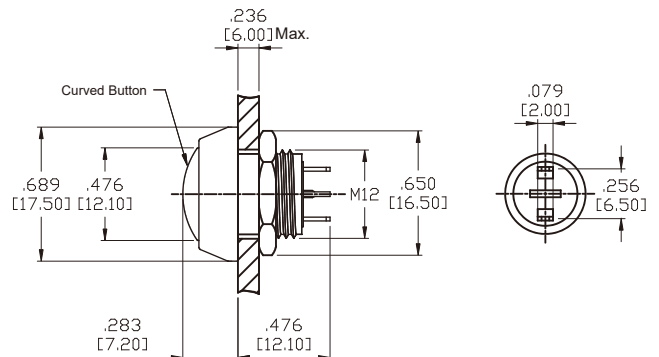
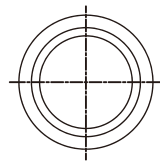
Ex. P/N: AV01-B4-M1

Model No.	SPST Type	
01	OFF	MOM

Schematic



SPST \varnothing 12mm, Quick Connect



Ex. P/N: AV01-B4-M3

Model No.	SPST Type	
01	OFF	MOM

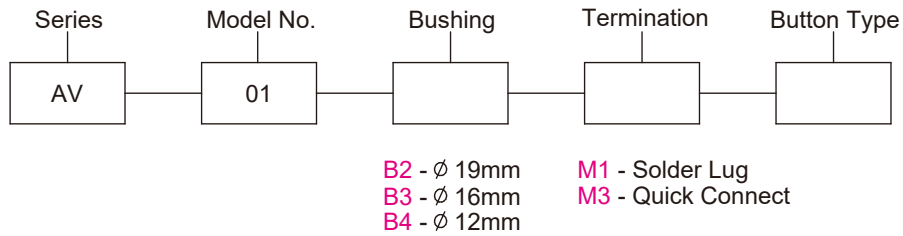
Schematic



BUSHING & BUTTON MATERIAL OPTIONS

Code	Bushing Size	Bushing & Button Material	MOQ
B2,B3,B4	∅ 19,16,12mm	Nickel plated brass with varnished polished	100 PCS
B21,B31,B41	∅ 19,16,12mm	Gold plated brass with varnished polished	500 PCS
B22,B32,B42	∅ 19,16,12mm	Stainless steel with varnished polished	100 PCS
B23,B33,B43	∅ 19,16,12mm	Al. alloy with black nickel plated	500 PCS

HOW TO ORDER



SPECIFICATIONS:

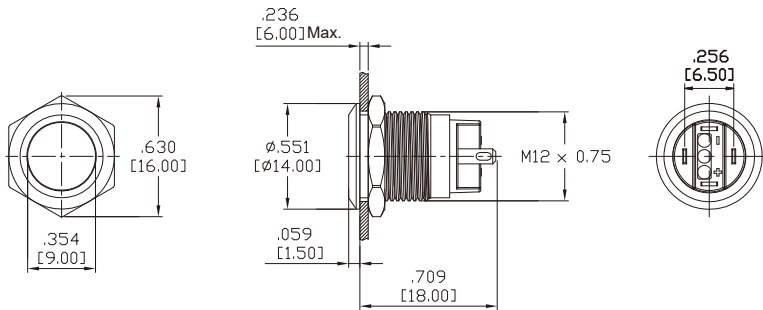
BUSHING: ϕ 12mm.
 CONTACT RATING: 2A @ 36VDC.
 ELECTRICAL LIFE: 50,000cycles at full load.
 CONTACT RESISTANCE: 50m-ohms max.
 INSULATION RESISTANCE: 1,000M-ohms min.
 DIELECTRIC STRENGTH: 1,500V RMS 50Hz.
 IP CLASS: IP67 front panel.
 TORQUE: 0.6Nm max. applied to nut
 OPERATING FORCE: 2.5~4N.
 OPERATING TEMPERATURE: $-25^{\circ}\text{C}\sim+55^{\circ}\text{C}$.

MATERIALS:

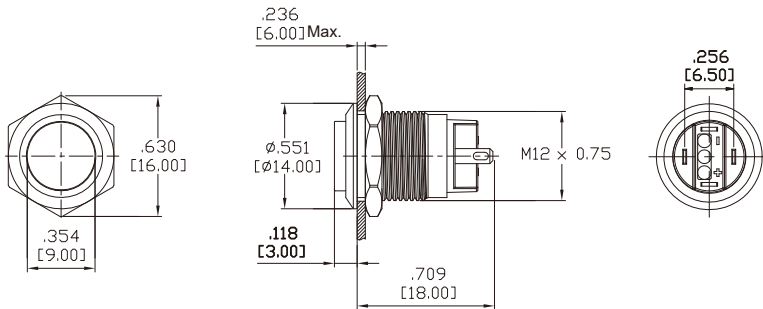
BUSHING: Stainless steel
 CONTACT: Stainless steel
 BASE: PA

Specifications and Dimensions subject to change

SPST 12mm, Flat Button



SPST 12mm, Raised Button

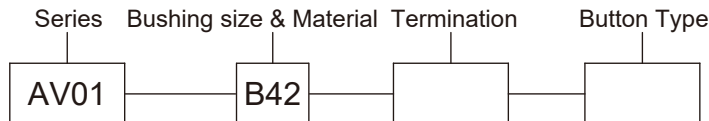


BUSHING & BUTTON MATERIAL OPTIONS

Code	Bushing Size	Bushing & Button Material	MOQ
B42	ϕ 12mm	Stainless steel with varnished polished	100 PCS

* For other material requirements, please contact our customer service

HOW TO ORDER



M3-Quick Connect F-Flat
 R-Raised