

SPECIFICATIONS:

CONTACT RATING: $\varnothing 19,30\text{mm}$ 0.5A@220~250VAC (Resistive & Inductive load)
 For 19mm switch with base
 2A @ 220~250VAC inductive load
 3A @ 220~250VAC resistive load

ELECTRICAL LIFE: 50,000 make-and-break cycles at full load.

CONTACT RESISTANCE: 50m Ω max. initial @2-4VDC

INSULATION RESISTANCE: 1,000M Ω Min. @500VDC

DIELECTRIC STRENGTH: 2,000V RMS @ 50~60Hz.

OPERATING TEMPERATURE: -20°C~+55°C.

MATERIALS:

Bushing & Button: Refer to below table.

Contact: Silver alloy.

Nut: Nickel plated brass.

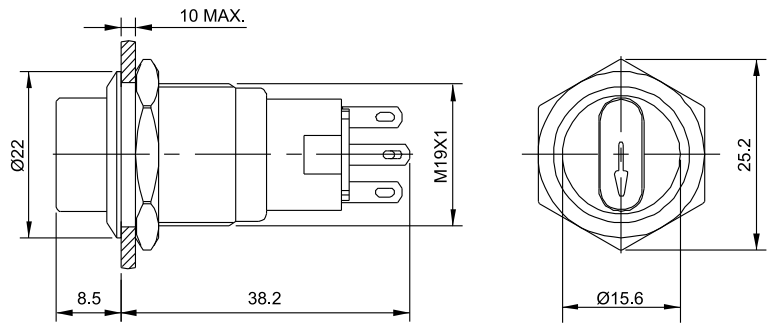
Base: PBT.

19mm, Selector with illuminated arrow, LO



Model No.	SPDT Type	
02L	ON	MOM
03L	ON	ON

Model No.	DPDT Type	
12L	ON	MOM
13L	ON	ON

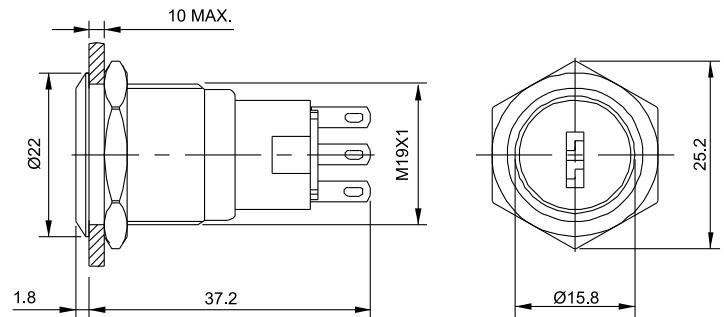


19mm, Key, LO



Model No.	SPDT Type	
02	ON	MOM
03	ON	ON

Model No.	DPDT Type	
12	ON	MOM
13	ON	ON

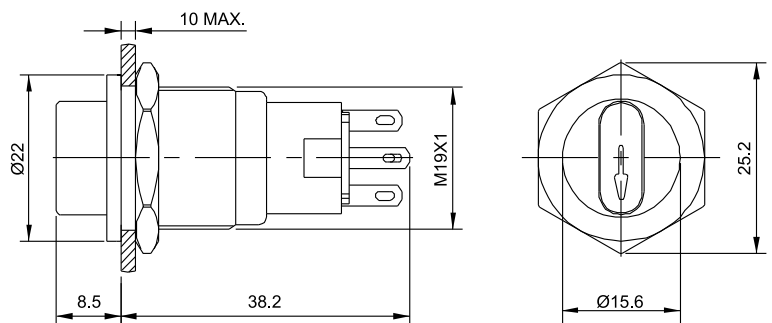


19mm, Selector with illuminated arrow, LO



Model No.	SPDT Type	
02L	ON	MOM
03L	ON	ON

Model No.	DPDT Type	
12L	ON	MOM
13L	ON	ON

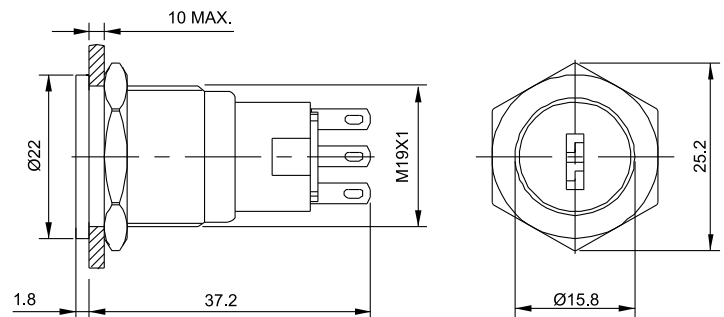


19mm, Key, LO



Model No.	SPDT Type	
02	ON	MOM
03	ON	ON

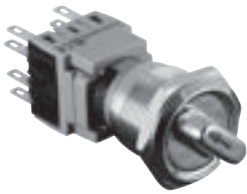
Model No.	DPDT Type	
12	ON	MOM
13	ON	ON



Series AVx

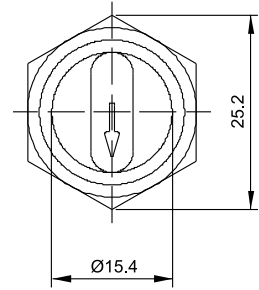
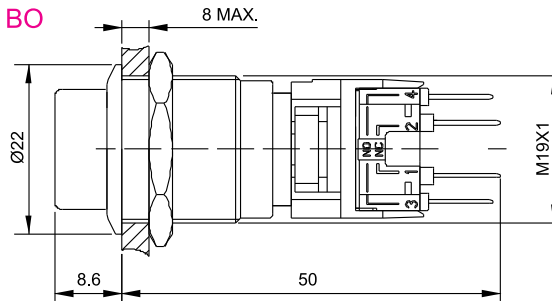
Anti-Vandal Key and Selector Switches

19mm, Selector with Base, illuminated arrow, BO



Model No.	SPDT Type	
02L	ON	MOM
03L	ON	ON

Model No.	DPDT Type	
12L	ON	MOM
13L	ON	ON

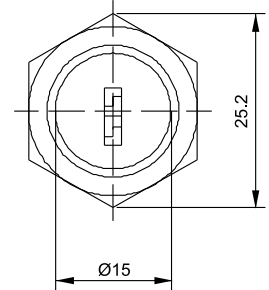
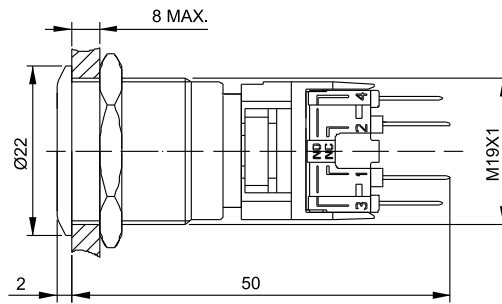


19mm, Key with Base, BO



Model No.	SPDT Type	
02	ON	MOM
03	ON	ON

Model No.	DPDT Type	
12	ON	MOM
13	ON	ON

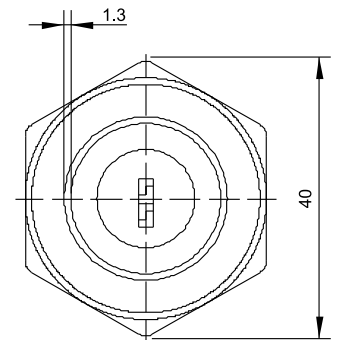
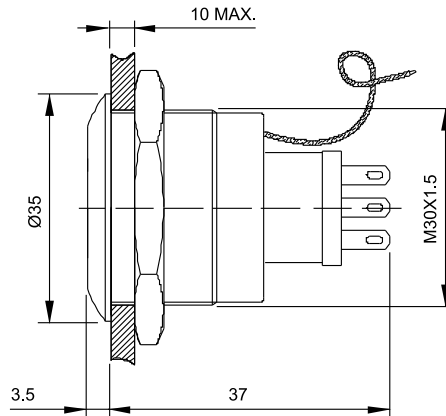


30mm, Key with illuminated ring



Model No.	SPDT Type	
02L	ON	MOM
03L	ON	ON

Model No.	DPDT Type	
12L	ON	MOM
13L	ON	ON

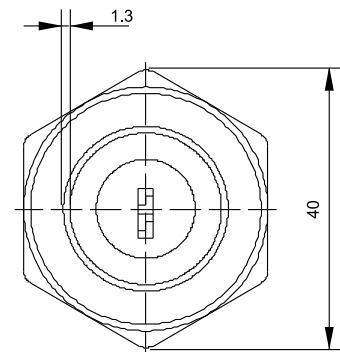
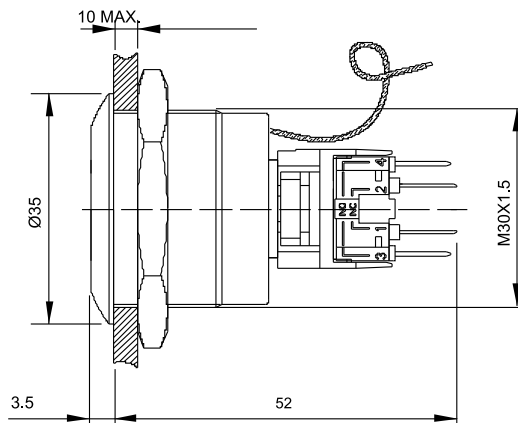


30mm, Knob with Base, illuminated ring



Model No.	SPDT Type	
02L	ON	MOM
03L	ON	ON

Model No.	DPDT Type	
12L	ON	MOM
13L	ON	ON



BUSHING & BUTTON MATERIAL OPTIONS

Code	Bushing Size	Bushing & Button Material
B22	Ø19mm	Stainless steel with varnished polished
BB2	Ø30mm	Stainless steel with varnished polished

Toggle

Rocker

Slide

Pushbutton

AV

Rotary

Tact

Touch Key

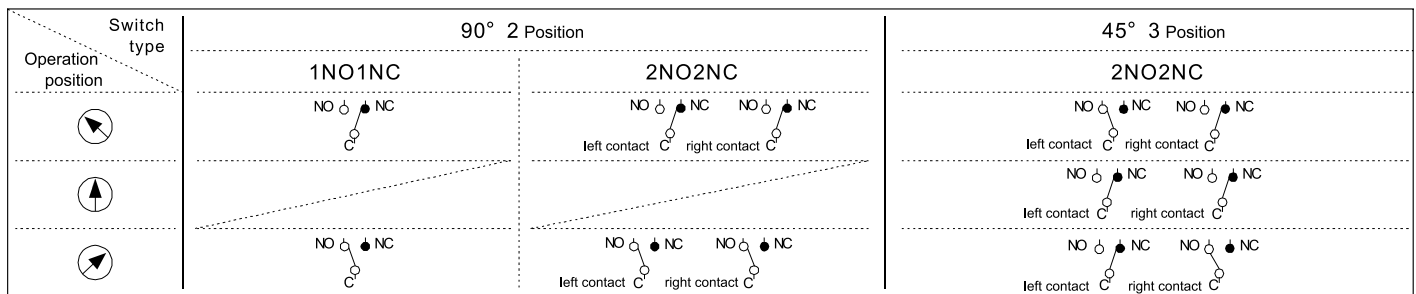
Miscellaneous

OPTION CODE

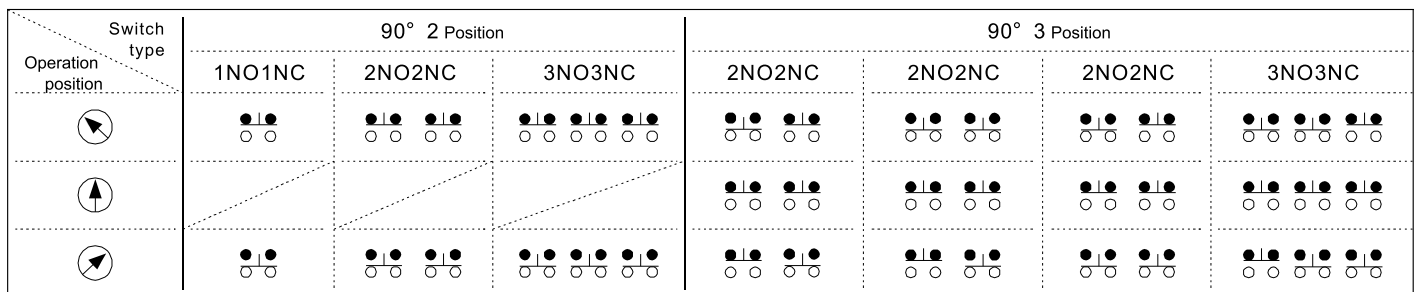
Code	LED Voltage and Consumption
6V	6V (AC/DC Compatible) 15mA
12V	12V (AC/DC Compatible) 15mA
24V	24V (AC/DC Compatible) 15mA
36V	36V (AC/DC Compatible) 15mA
110V	110V (AC/DC Compatible) 5mA
220V	220V (AC/DC Compatible) 5mA

key and Selector operation chart

19mm & 30mm key and selector switch



19mm & 30mm key and selector switch with base



HOW TO ORDER

