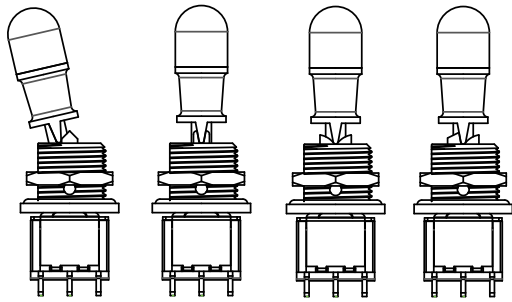


## SPECIFICATIONS:

CONTACT RATING: Refer to "Contact Material Options" for more info.  
 ELECTRICAL LIFE: 50,000 make-and-break cycles at full load.  
 CONTACT RESISTANCE: 10mΩ max. initial  
 INSULATION RESISTANCE: 1,000MΩ min. (500VDC for 1 minute)  
 DIELECTRIC STRENGTH: 1,500V RMS @ sea level.  
 OPERATING TEMPERATURE: -30°C to +85°C  
 IP67 FRONT PANEL PROTECTION

## MATERIALS:

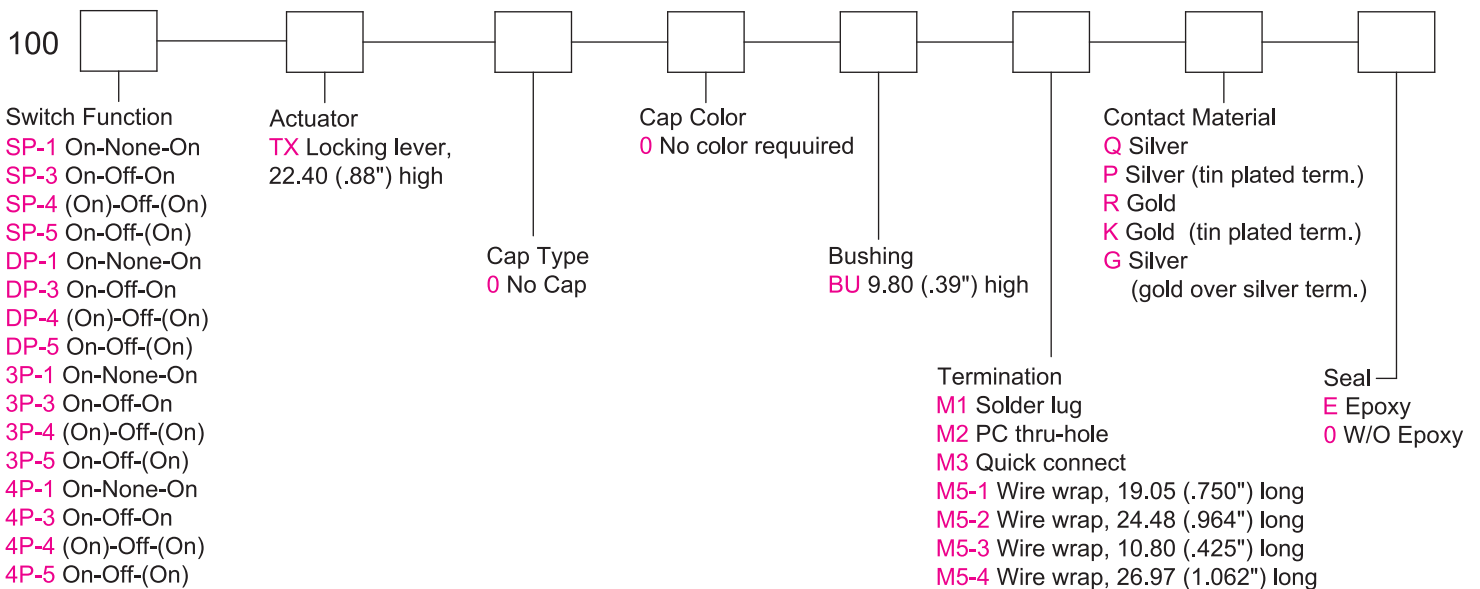
CASE: Diallyl phthalate(DAP)(UL 94V-0)  
 TOGGLE HANDLE: Brass, chrome plated.  
 BUSHING: Brass, nickel plated.  
 HOUSING: Stainless Steel.  
 TERMINAL SEAL: Epoxy.



Specifications and Dimensions subject to change

If your preferred product configuration is not shown, please contact our sales representative for custom design.

## HOW TO ORDER SYSTEM



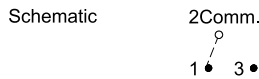
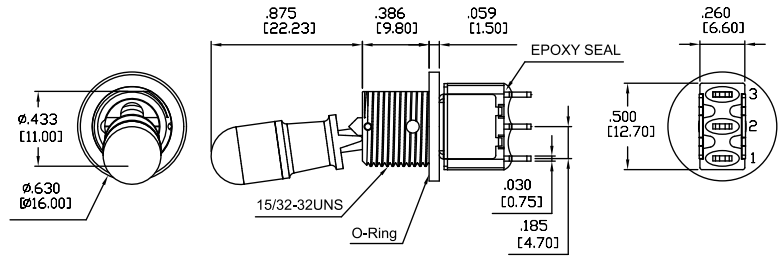
# Series 100

# Miniature Toggle Switches

## SPDT



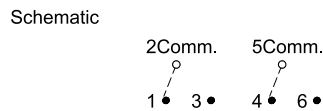
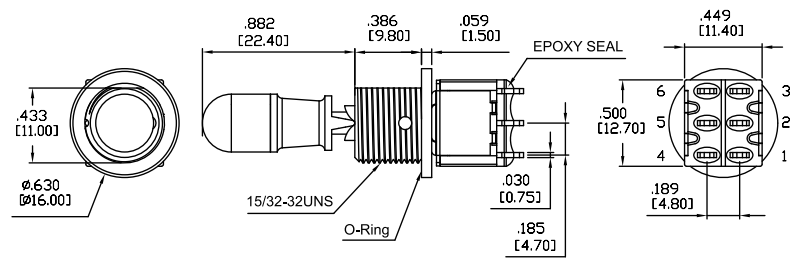
Model No.	Switching Position		
SP-1	ON	NONE	ON
SP-3	ON	OFF	ON
SP-4	(ON)	OFF	(ON)
SP-5	ON	OFF	(ON)
Term. Comm.	2-3	OPEN	2-1



## DPDT



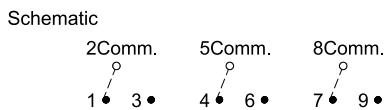
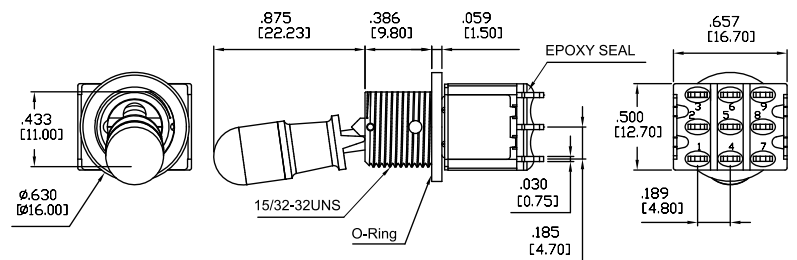
Model No.	Switching Position		
DP-1	ON	NONE	ON
DP-3	ON	OFF	ON
DP-4	(ON)	OFF	(ON)
DP-5	ON	OFF	(ON)
Term. Comm.	2-3,5-6	OPEN	2-1,5-4



## 3PDT



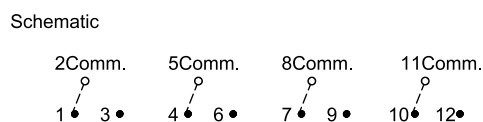
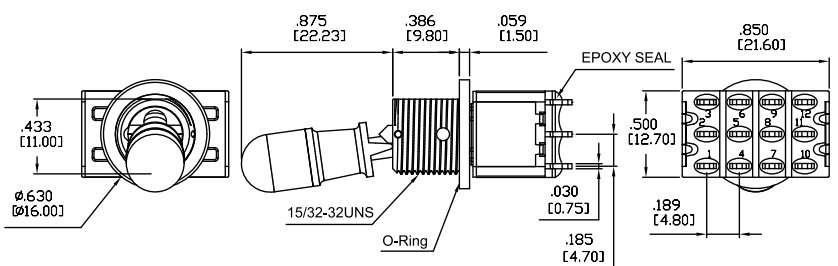
Model No.	Switching Position		
3P-1	ON	NONE	ON
3P-3	ON	OFF	ON
3P-4	(ON)	OFF	(ON)
3P-5	ON	OFF	(ON)
Term. Comm.	2-3,5-6 8-9	OPEN	2-1,5-4 8-7

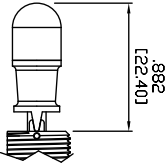
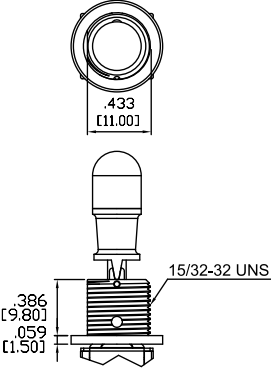
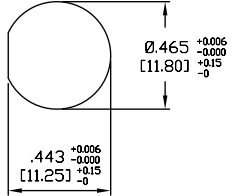


## 4PDT

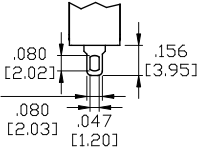
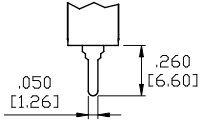
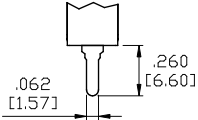
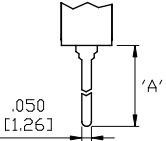


Model No.	Switching Position		
4P-1	ON	NONE	ON
4P-3	ON	OFF	ON
4P-4	(ON)	OFF	(ON)
4P-5	ON	OFF	(ON)
Term. Comm.	2-3,5-6 8-9 11-12	OPEN	2-1,5-4 8-7 11-10

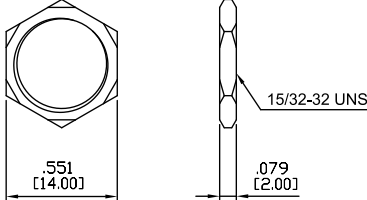
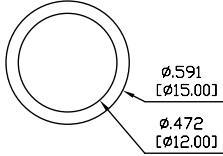


ACTUATOR OPTIONS	BUSHING OPTIONS	PANEL MOUNTING
<p><b>TX</b></p> 	<p><b>BU</b></p> 	<p>15/32 INCH BUSHING</p> 



## TERMINATION OPTIONS

M1 STD. SOLDER LUG	M2 PC THRU-HOLE	M3 QUICK CONNECT	M5 WIRE WRAP										
 <p>THK .030 [0.75]</p>	 <p>THK .030 [0.75]</p>	 <p>THK .030 [0.75]</p>	 <table border="1" data-bbox="1295 756 1542 987"> <thead> <tr> <th>OPTION CODE</th> <th>DIM.'A'</th> </tr> </thead> <tbody> <tr> <td>M5-1</td> <td>.750 [19.05]</td> </tr> <tr> <td>M5-2</td> <td>.964 [24.48]</td> </tr> <tr> <td>M5-3</td> <td>.425 [10.80]</td> </tr> <tr> <td>M5-4</td> <td>1.062 [26.97]</td> </tr> </tbody> </table> <p>THK .030 [0.75]</p>	OPTION CODE	DIM.'A'	M5-1	.750 [19.05]	M5-2	.964 [24.48]	M5-3	.425 [10.80]	M5-4	1.062 [26.97]
OPTION CODE	DIM.'A'												
M5-1	.750 [19.05]												
M5-2	.964 [24.48]												
M5-3	.425 [10.80]												
M5-4	1.062 [26.97]												

## HARDWARE

NUT	O-Ring
	

## CONTACT MATERIAL OPTIONS

Coding	Contact Material	Terminal Plating	Rating	Agency Approvals
Q P	Silver <sup>1</sup>	Silver plated <sup>1</sup> Tin plated <sup>5</sup> Tin plated <sup>7</sup>	5Amps @ 125VAC or 28VDC 2Amps @ 250VAC	
R K	Gold <sup>2</sup>	Gold plated <sup>4</sup> Tin plated <sup>5</sup> Tin plated <sup>6</sup>	0.4VA max @ 20V max (AC or DC)	
G	Silver <sup>1</sup>	Gold over silver <sup>3</sup>	5Amps @ 125VAC or 28VDC 2Amps @ 250VAC	

Toggle  
Rocker  
Slide  
Pushbutton  
AV  
Rotary  
Tact  
Touch Key  
Miscellaneous

1. Movable Contact / Terminals: Copper alloy, silver plated.
2. Movable Contact: Copper alloy with gold plated over nickel plated.
3. Terminals: Silver plated with outer layer in gold plating.
4. Terminals: Copper alloy, with gold plated over nickel plated.
5. Outer Terminals: Copper alloy with pure tin plated.
6. Terminal Contact: Gold plated over nickel plated.
7. Terminal Contact: Palladium nickel alloy (or Silver) plated.

\* P, K not available with M1 and M3 terminals

\* 6Amps (Movable Contact: coin silver, silver plated) available to model ON-NONE-ON without UL approval