

**SPECIFICATIONS:**

CONTACT RATING: Refer to "Contact material Options" for more info.

CONTACT RESISTANCE: 10mΩ max. initial @ 2-4VDC  
100mA for both silver and gold plated contacts.

ELECTRICAL LIFE: 50,000 actuations at full load.

INSULATION RESISTANCE: 1,000MΩ Min.

DIELECTRIC STRENGTHS: 1,500V RMS @ sea level.

OPERATION TEMPERATURE: -30°C to +85°C.

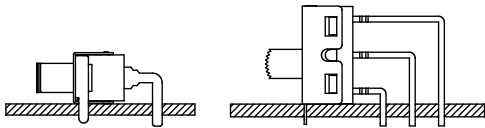
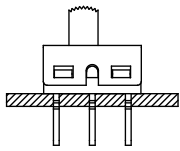
**MATERIALS:**

CASE: Diallyl phthalate(DAP)(UL 94V-0).

HOUSING: Stainless Steel.

SLIDE HANDLE: Nylon 6, black standard.

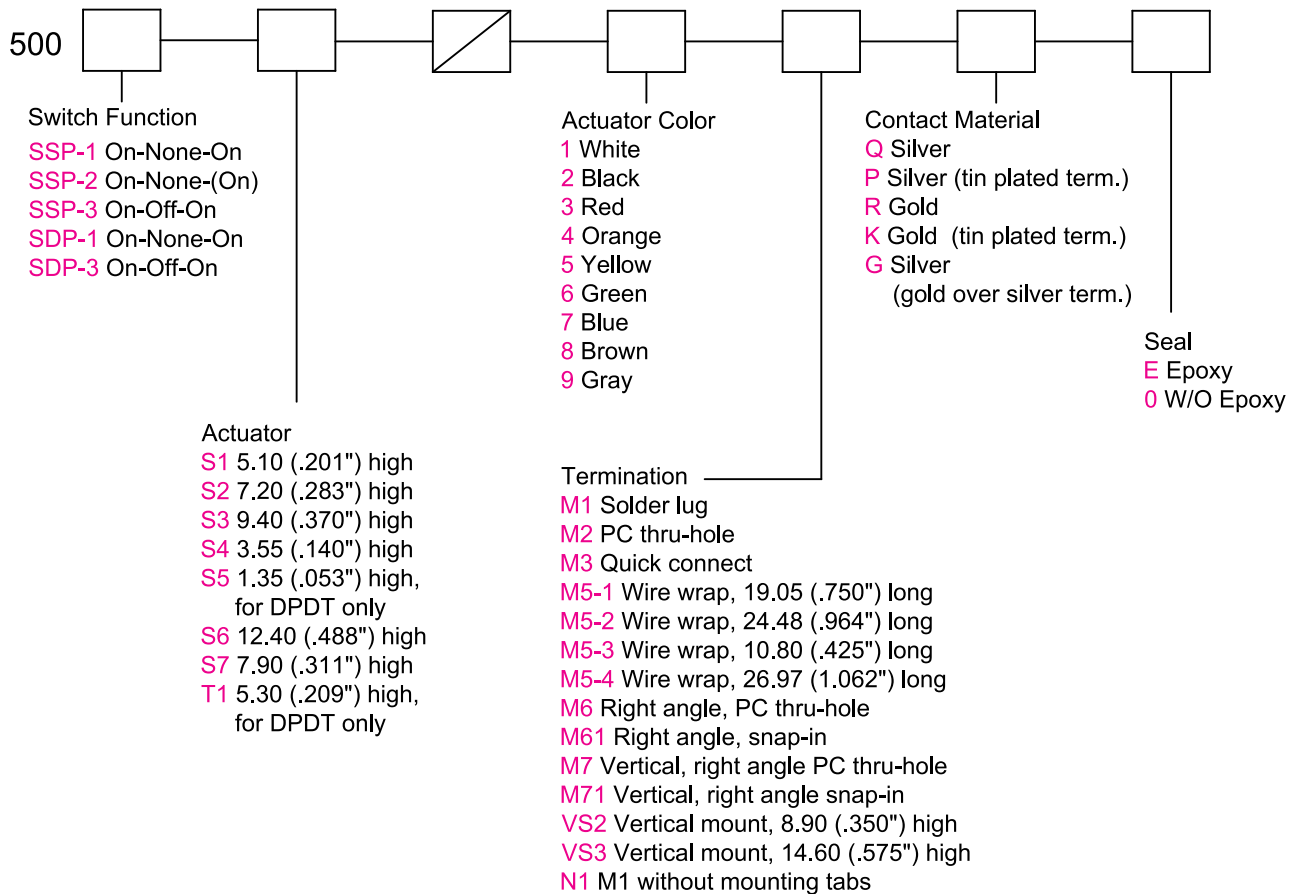
TERMINAL SEAL: Epoxy.



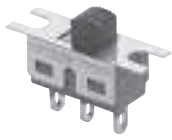
Specifications and Dimensions subject to change

If your preferred product configuration is not shown, please contact our sales representative for custom design.

**HOW TO ORDER SYSTEM**

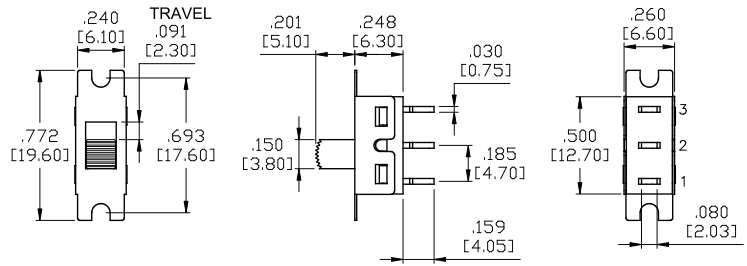


## SPDT

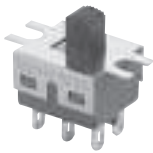


Model No.	Switching Position		
SSP-1	ON	NONE	ON
SSP-2	ON	NONE	(ON)
SSP-3	ON	OFF	ON
Term. Comm.	2-1	OPEN	2-3

Schematic

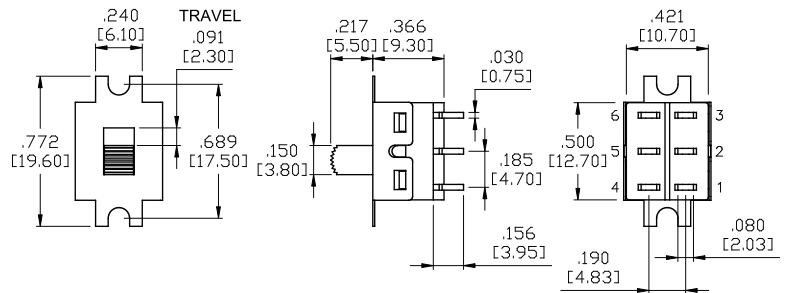
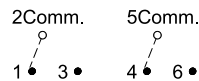


## DPDT



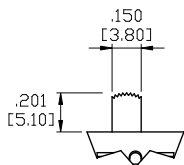
Model No.	Switching Position		
SDP-1	ON	NONE	ON
SDP-3	ON	OFF	ON
Term. Comm.	2-1 5-4	OPEN	2-3 5-6

Schematic



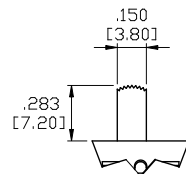
## ACTUATOR OPTIONS

### S1



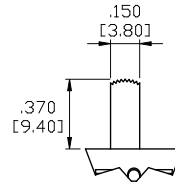
\* Add 0.40 (.016) from actuator height for DPDT-M1 and M2 model.

### S2



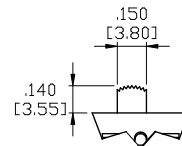
\* Add 0.20 (.008) from actuator height for DPDT-M1 and M2 model.

### S3



\* Add 0.30 (.012) from actuator height for DPDT-M1 and M2 model.

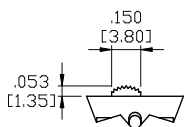
### S4



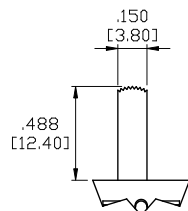
\* Add 0.40 (.016) from actuator height for DPDT-M1 and M2 model.

\* All actuator length shown is SPDT model with M1 and M2 terminals.

### S5 FOR DPDT ONLY

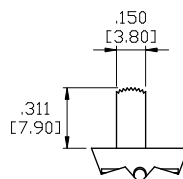


### S6



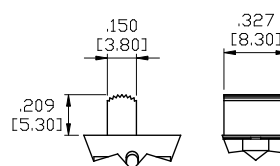
\* Add 0.70 (.028) from actuator height for DPDT-M1 and M2 model.

### S7



\* Add 0.40 (.016) from actuator height for DPDT model.

### T1 FOR DPDT ONLY



\* All actuator length shown is SPDT model with M1 and M2 terminals.

ACTUATOR COLORS	
1	White
2	Black (Std.)
3	Red
4	Orange
5	Yellow
6	Green
7	Blue
8	Brown
9	Gray

TERMINATION OPTIONS

<p><b>M1 STD. SOLDER LUG</b></p> <p>THK .030 [0.75]</p> <p>* Standard with Mounting Tabs.</p>	<p><b>M2 PC THRU-HOLE</b></p> <p>THK .030 [0.75]</p>	<p><b>M3 QUICK CONNECT</b></p> <p>THK .030 [0.75]</p>	<p><b>M5 WIRE WRAP</b></p> <p>THK .030 [0.75]</p> <table border="1"> <thead> <tr> <th>OPTION CODE</th> <th>DIM.'A'</th> </tr> </thead> <tbody> <tr> <td>M5-1</td> <td>.750 [19.05]</td> </tr> <tr> <td>M5-2</td> <td>.964 [24.48]</td> </tr> <tr> <td>M5-3</td> <td>.425 [10.80]</td> </tr> <tr> <td>M5-4</td> <td>1.062 [26.97]</td> </tr> </tbody> </table>	OPTION CODE	DIM.'A'	M5-1	.750 [19.05]	M5-2	.964 [24.48]	M5-3	.425 [10.80]	M5-4	1.062 [26.97]
OPTION CODE	DIM.'A'												
M5-1	.750 [19.05]												
M5-2	.964 [24.48]												
M5-3	.425 [10.80]												
M5-4	1.062 [26.97]												

TERMINATION OPTIONS WITHOUT MOUNTING TABS

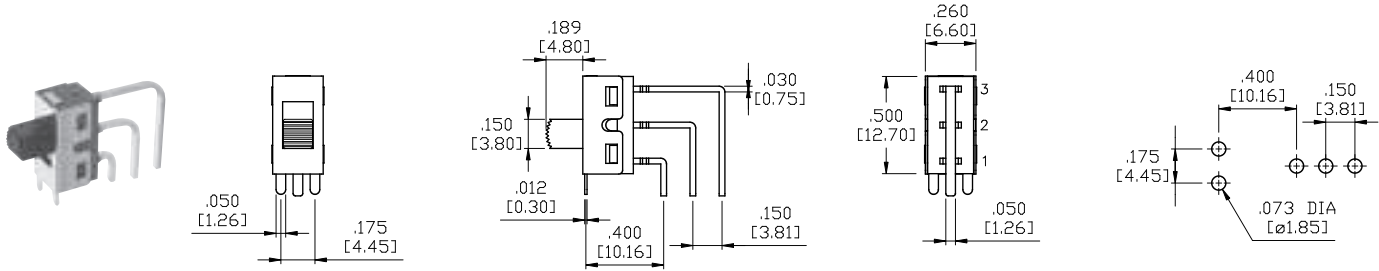
<p><b>N1</b></p> <p>SPDT</p>				
<p><b>N1</b></p> <p>DPDT</p>				
<p><b>M6</b></p> <p>SPDT</p>				<p><b>P.C.MOUNTING</b></p>
<p><b>M6</b></p> <p>DPDT</p>				<p><b>P.C.MOUNTING</b></p>

Toggle  
Rocker  
Slide  
Pushbutton  
AV  
Rotary  
Tact  
Touch Key  
Miscellaneous

TERMINATION OPTIONS WITHOUT MOUNTING TABS

M7

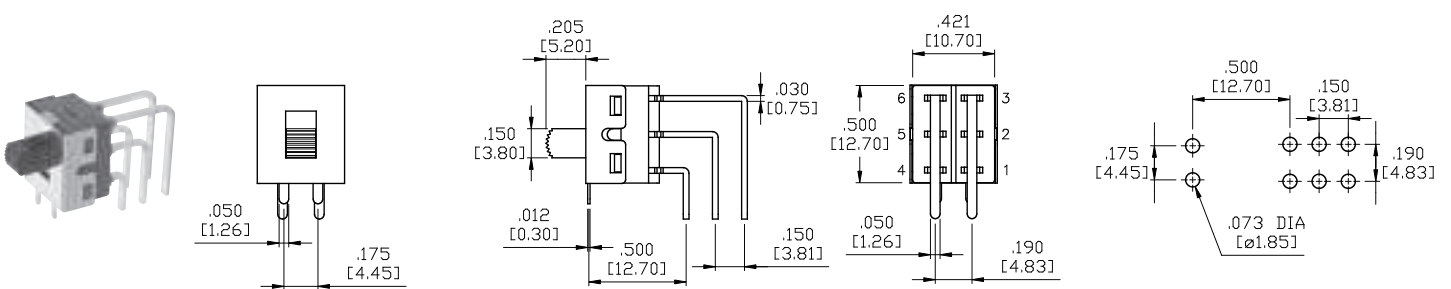
P.C.MOUNTING



SPDT

M7

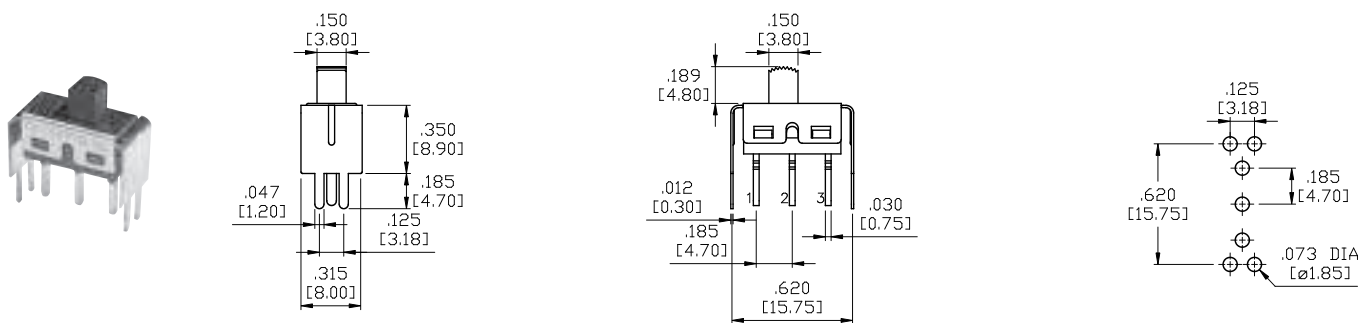
P.C.MOUNTING



DPDT

VS-2

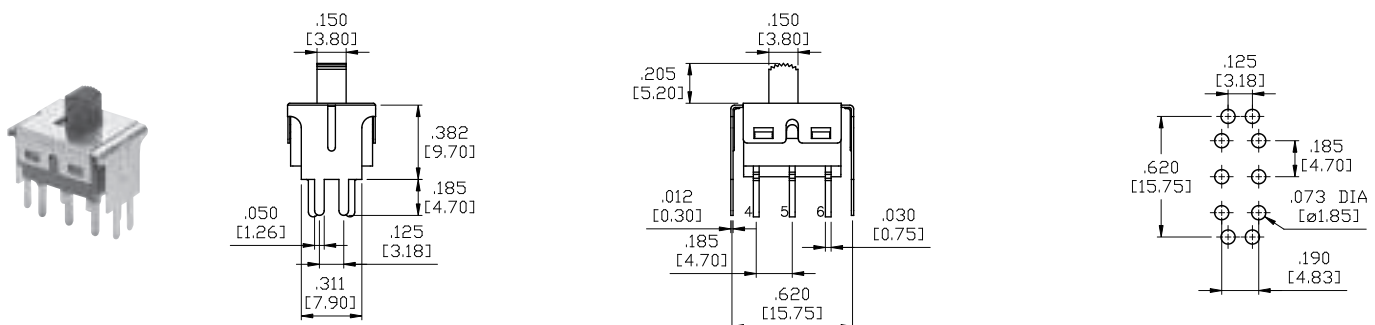
P.C.MOUNTING



SPDT

VS-2

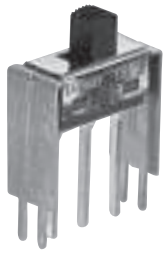
P.C.MOUNTING



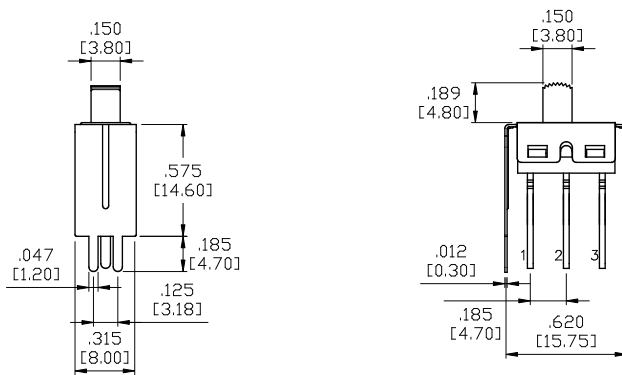
DPDT

TERMINATION OPTIONS WITHOUT MOUNTING TABS

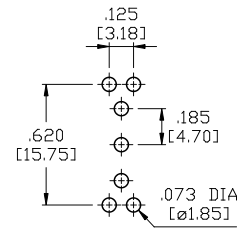
VS-3



SPDT



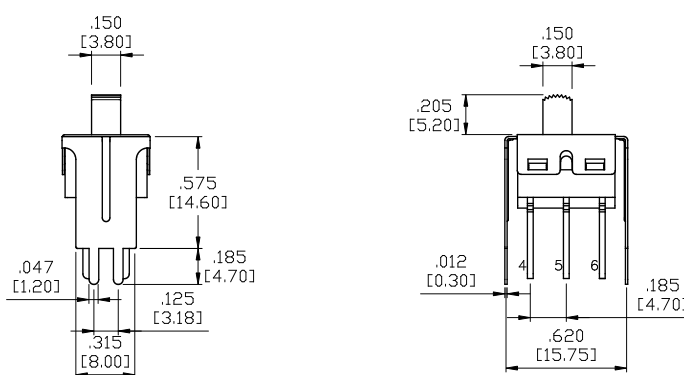
P.C.MOUNTING



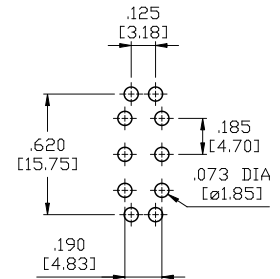
VS-3



DPDT



P.C.MOUNTING



CONTACT MATERIAL OPTIONS

Coding	Contact Material	Terminal Plating	Rating	Agency Approvals
Q	Silver <sup>1</sup>	Silver plated <sup>1</sup>	5Amps @ 125VAC or 28VDC 2Amps @ 250VAC	
P		Tin plated <sup>5/7</sup>		
R	Gold <sup>2</sup>	Gold plated <sup>4</sup>	0.4VA max @ 20V max (AC or DC)	
K		Tin plated <sup>5/6</sup>		
G	Silver <sup>1</sup>	Gold over silver <sup>3</sup>	5Amps @ 125VAC or 28VDC 2Amps @ 250VAC	

1. Movable Contact / Terminals: Copper alloy, silver plated.
2. Movable Contact: Copper alloy with gold plated over nickel plated.
3. Terminals: Silver plated with outer layer in gold plating.
4. Terminals: Copper alloy, with gold plated over nickel plated.
5. Outer Terminals: Copper alloy with pure tin plated.
6. Terminal Contact: Gold plated over nickel plated.
7. Terminal Contact: Palladium nickel alloy (or Silver) plated.

\* P, K is not available with M1 and M3 terminals

\* 6Amps (Movable Contact: coin silver, silver plated) available with model ON-NONE-ON without UL approval